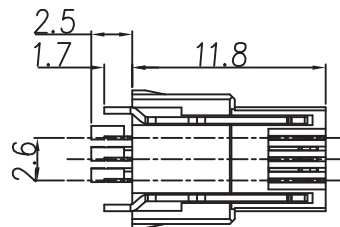
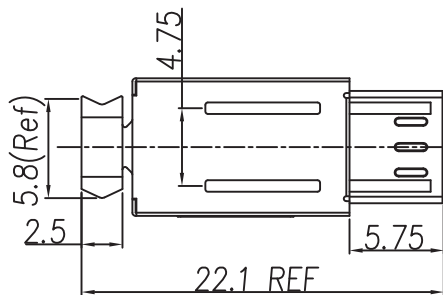
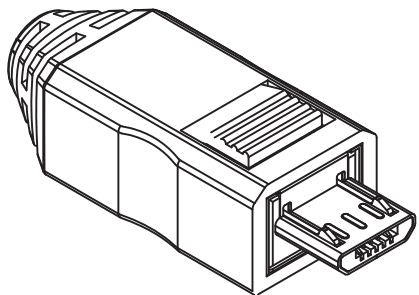
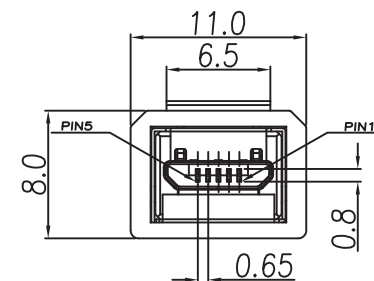
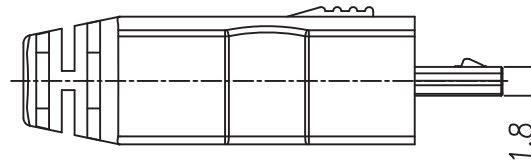
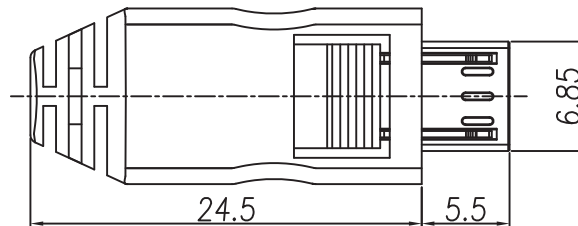


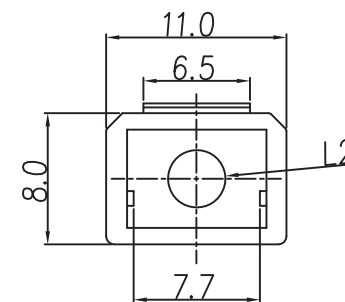
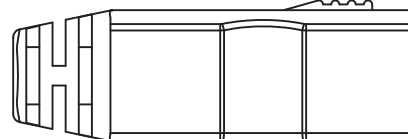
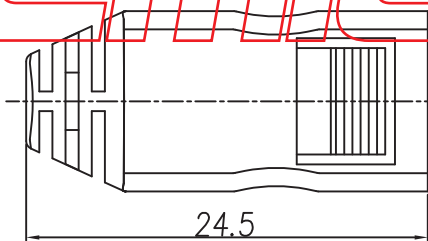
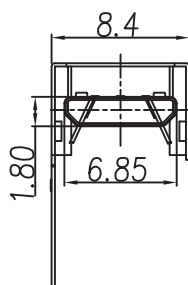
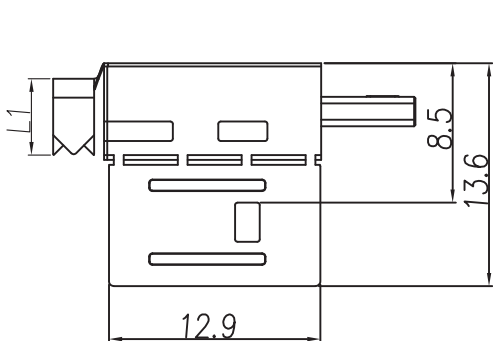
REMARK: RoHS COMPLIANT



(4x)0.65  
(5x)0.25



**EMICO**



L1/L2:

1. 4.6/3.5mm
2. 6.6/4.7mm

MATERIAL

1. Housing: Nylon
2. Cover: Nylon
3. Pin: PH. Bronze/Gold
4. Shell: SUS
5. Latch: SUS

THIRD ANGLE	UNIT	DATE	TITLE: Micro USB 2.0 Type B Male 5PIN Assembly Type
	MM	2017/5/15	
DRAWING BY	APPROVED BY	VERSION	DRAWING NO. WP-RUB1P-A05S
LEE	Y	A	

**EMICO**® **CONNECT YOUR LIFE**

TEL: +886-3-3117527; +886-3-3119828

FAX: +886-3-2225330

E-mail: emico.tw@msa.hinet.net

Website: www.emico-tw.com.tw

**EMICO INDUSTRY CORPORATION**