

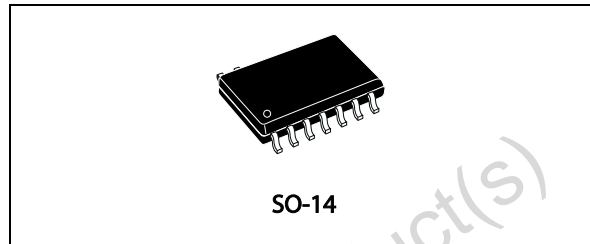
Advanced IGBT/MOSFET driver

Features

- 1.5 A source/2.3 A sink typ gate drive
- Active Miller clamp feature
- Two steps turn-off with adjustable level and delay
- Desaturation detection
- Fault status output
- Negative gate drive ability
- Input compatible with pulse transformer or optocoupler
- Separate sink and source outputs for easy gate drive
- UVLO protection
- 2 kV ESD protection (HBM)

Applications

- 1200 V 3-phase inverter
- Motor control
- UPS systems



Description

TD350 is an advanced gate driver for IGBT and power MOSFET. Control and protection functions are included and allow the design of high reliability systems.

Innovative active Miller clamp function avoids the need of negative gate drive in most applications and allows the use of a simple bootstrap supply for the high side driver

TD350 includes a two-level turn-off feature with adjustable level and delay. This function protects against excessive overvoltage at turn-off in case of overcurrent or short-circuit condition. Same delay is applied at turn-on to prevent pulse width distortion.

TD350 also includes an IGBT desaturation protection and a FAULT status output.

TD350 is compatible with both pulse transformer and optocoupler signals.

Table 1. Device summary

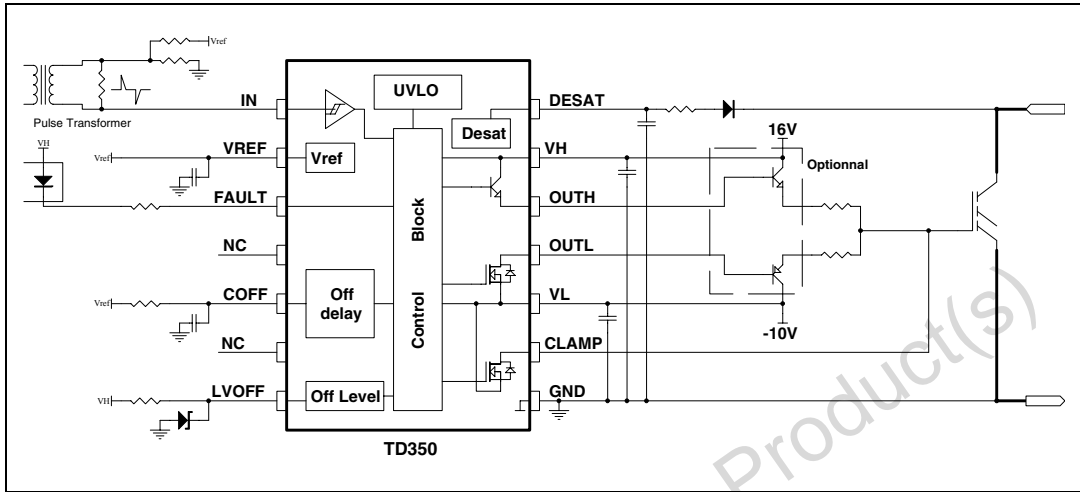
Order codes	Temperature range	Package	Packaging
TD350ID	-40, +125°C	SO-14	Tube
TD350IDT			Tape and reel

Contents

1	Block diagram	3
2	Pin connections	4
3	Absolute maximum ratings	5
4	Electrical characteristics	6
5	Functional description	8
5.1	Input	8
5.2	Voltage reference	8
5.3	Desaturation protection	8
5.4	Active Miller clamp	8
5.5	Two level turn-off	8
5.6	Minimum ON time	9
5.7	Output	9
5.8	Fault status output	9
5.9	Undervoltage protection	9
6	Timing diagrams	11
7	Typical performance curves	12
8	Application diagrams	13
9	Package mechanical data	14
10	Revision history	16

1 Block diagram

Figure 1. Schematic block diagram



Obsolete Product(s) - Obsolete Product(s)

2 Pin connections

Figure 2. Pin connections (top view)

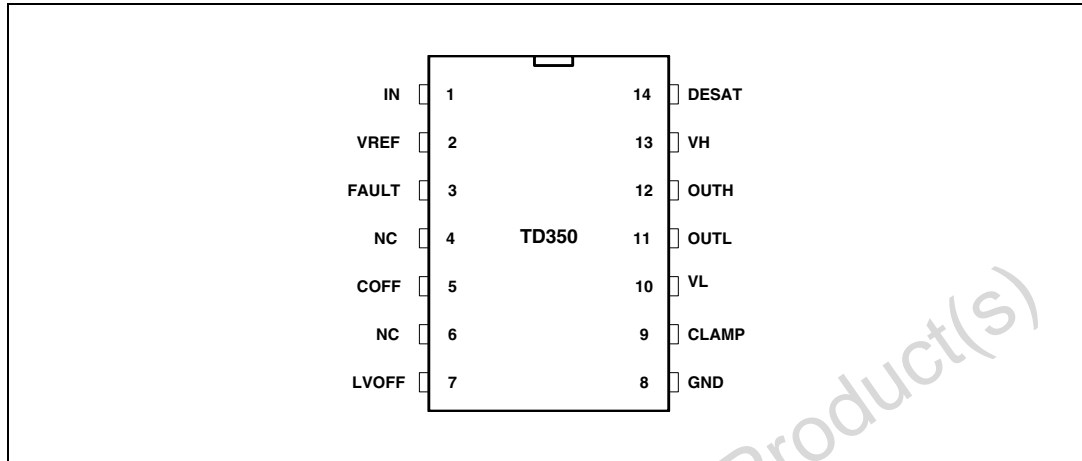


Table 2. Pin description

Name	Pin number	Type	Function
IN	1	Analog input	Input
VREF	2	Analog output	+5V reference voltage
FAULT	3	Digital output	Fault status output
NC	4	Not connected	
COFF	5	Timing capacitor	Turn off delay
NC	6	Not connected	
LVOFF	7	Analog input	Turn off level
GND	8	Power supply	Signal ground
CLAMP	9	Analog output	Miller clamp
VL	10	Power supply	Negative supply
OUTL	11	Analog output	Gate drive output (sink)
OUTH	12	Analog output	Gate drive output (source)
VH	13	Power supply	Positive supply
DESAT	14	Analog input	Desaturation protection

3 Absolute maximum ratings

Table 3. Key parameters and their absolute maximum ratings

Symbol	Parameter	Value	Unit
VHL	Maximum supply voltage (VH - VL)	28	V
VH	Maximum VH voltage vs. GND	28	V
VL	Minimum VL voltage vs. GND	-12	V
V _{out}	Voltage on OUTH, OUTL, CLAMP pins	VL-0.3 to VH+0.3	V
V _{des}	Voltage on DESAT, FAULT, LVOFF pin	-0.3 to VH+0.3	V
V _{other}	Voltage on other pins (IN, COFF, VREF)	-0.3 to 7	V
P _d	Power dissipation	500	mW
T _{stg}	Storage temperature	-55 to 150	°C
T _j	Maximum junction temperature	150	°C
R _{thja}	Thermal resistance junction-ambient	125	°C/W
R _{thjc}	Thermal resistance junction-case	22	°C/W
ESD	Electrostatic discharge (HBM)	2	kV

Table 4. Operating conditions

Symbol	Parameter	Value	Unit
VH	Positive supply voltage vs. GND	UVLO to 26	V
VL	Negative supply voltage vs. GND	0 to -10	V
VH-VL	Maximum total supply voltage	26	V
T _{oper}	Operating free air temperature range	-40 to 125	°C

4 Electrical characteristics

$T_A = -20$ to 125 °C, $V_H=16$ V, $V_L=-10$ V (unless otherwise specified)

Table 5. Electrical characteristics

Symbol	Parameter	Test condition	Min	Typ	Max	Unit
Input						
V_{ton}	IN turn-on threshold voltage		0.8	1.0		V
V_{toff}	IN turn-off threshold voltage			4.0	4.2	V
t_{onmin}	Minimum pulse width		100	135	220	ns
I_{inp}	IN input current				1	μ A
Voltage reference ⁽¹⁾						
V_{ref}	Voltage reference	$T=25^\circ\text{C}$ $T_{min}<T<T_{max}$	4.85 4.77	5.00	5.15 5.22	V V
I_{ref}	Maximum output current		10			mA
Desaturation protection						
V_{des}	Desaturation threshold		6.5	7.2	7.9	V
I_{des}	Source current			250		μ A
Fault output						
t_{fault}	Delay for fault detection				500	ns
V_{FL}	FAULT low voltage	$I_{FLsink}=10\text{mA}$			1	V
Clamp						
V_{tclamp}	CLAMP pin voltage threshold			2.0		V
V_{CL}	Clamp low voltage	$T=25^\circ\text{C}; I_{CLsink}=500\text{mA}$ $T_{min}<T<T_{max}; I_{CLsink}=500\text{mA}$			$V_L+2.5$ $V_L+3.0$	V V
Off delay						
V_{tdel}	Voltage threshold		2.35	2.50	2.65	V
R_{del}	Discharge resistor	$I=1\text{mA}$			500	Ω
Off levels						
I_{blvoff}	LVOFF peak input current (sink)	LVOFF=12V		120	200	μ A
V_{iolv}	Offset voltage	LVOFF=12V	-0.3	-0.15	0	V
Outputs						
V_{OL1}	Output low voltage at $I_{osink}=20\text{mA}$				$V_L+0.35$	V
V_{OL2}	Output low voltage at $I_{osink}=200\text{mA}$	$T=25^\circ\text{C}$ $T_{min}<T<T_{max}$			$V_L+1.0$ $V_L+1.5$	V V

Table 5. Electrical characteristics (continued)

Symbol	Parameter	Test condition	Min	Typ	Max	Unit
V_{OL3}	Output low voltage at $I_{osink}=500mA$	$T=25^{\circ}C$			VL+2.5	V
		$T_{min}<T<T_{max}$			VL+3.0	V
V_{OH1}	Output high voltage 1	$I_{osource}=20mA$	VH-2.5			V
V_{OH2}	Output high voltage 2	$I_{osource}=200mA$	VH-3.0			V
V_{OH3}	Output high voltage 3	$I_{osource}=500mA$	VH-4.0			V
t_r	Rise time	$C_L=1nF$, 10% to 90%			130	ns
		VL=0 VL=-10V			175	ns
t_f	Fall time ⁽²⁾	$C_L=1nF$, 90% to 10%			75	ns
		VL=0 VL=-10V			90	ns
t_{pd_on}	Turn-on propagation delay	10% output change; $T=25^{\circ}C$	400	500	600	ns
		10% output change; $T_{min}<T<T_{max}$	350		650	ns
t_{pd_off}	Turn-off propagation delay	10% output change; $T=25^{\circ}C$	350	450	570	ns
		10% output change; $T_{min}<T<T_{max}$	300		620	ns
Δtw	Input to output pulse distortion	10% output change	25	50	120	ns
Under voltage lockout (UVLO)						
UVLOH	UVLO top threshold		10	11	12	V
UVLOL	UVLO bottom threshold		9	10	11	V
V_{hyst}	UVLO hysteresis	UVLOH-UVLOL	0.5	1		V
Supply current						
I_{in}	Quiescent current	Output=0V, no load			5	mA

1. Recommended capacitor range on VREF pin is 10 nF to 100 nF.

2. 2 step turn-off disabled

5 Functional description

5.1 Input

The input is compatible with optocouplers or pulse transformers. The input is triggered by the signal edge and allows the use of low-sized, low-cost pulse transformer. Input is active low (output is high when input is low) to ease the use of optocoupler. When driven by a pulse transformer, the input pulse (positive and negative) width must be larger than the minimum pulse width t_{onmin} .

5.2 Voltage reference

A voltage reference is used to create accurate timing for the two-level turn-off with external resistor and capacitor.

5.3 Desaturation protection

Desaturation protection ensures the protection of the IGBT in the event of overcurrent. When the DESAT voltage goes higher than 7 V, the output is driven low (with 2-level turn-off if applicable). The FAULT output is activated. The FAULT state is exited at the next falling edge of IN input.

A programmable blanking time is used to allow enough time for IGBT saturation. Blanking time is provided by an internal current source and external capacitor.

DESAT input can also be used with an external comparator for overcurrent or over temperature detection.

5.4 Active Miller clamp

A Miller clamp allows the control of the Miller current during a high dV/dt situation and can avoid the use of a negative supply voltage.

During turn-off, the gate voltage is monitored and the clamp output is activated when gate voltage goes below 2 V (relative to GND). The clamp voltage is V_L+3 V max for a Miller current up to 500 mA. The clamp is disabled when the IN input is triggered again.

5.5 Two level turn-off

The two-level turn-off is used to increase the reliability of the application.

During turn-off, gate voltage can be reduced to a programmable level in order to reduce the IGBT current (in the event of over-current). This action avoids both dangerous overvoltage across the IGBT, and RBSOA problems, especially at short circuit turn-off.

Turn-off (T_a) delay is programmable through an external resistor and capacitor for accurate timing.

Turn-off delay (T_a) is also used to delay the input signal to prevent distortion of input pulse width.

5.6 Minimum ON time

In order to ensure the proper operation of the 2-level turn-off function, the input ON time (T_{win}) must be greater than the T_{winmin} value:

$$T_{winmin} = T_a + 2 * R_{del} * C_{off}$$

R_{del} is the internal discharge resistor and C_{off} is the external timing capacitor.

Input signals smaller than T_a are ignored. Input signals larger than T_{winmin} are transmitted to the output stage after the T_a delay with minimum width distortion ($\Delta T_w = T_{wout} - T_{win}$).

For an input signal width T_{win} between T_a and T_{winmin} , the output width T_{wout} is reduced below T_{win} (pulse distortion) and the IGBT could be partially turned on. These input signals should be avoided during normal operation.

5.7 Output

The output stage is able to sink 2.3 A and source 1.5 A typical at 25 °C (1.2 A/0.75 A minimum over the full temperature range). Separated sink and source outputs allow independent gate charge and discharge control without an extra external diode.

5.8 Fault status output

Fault output is used to signal a fault event (desaturation, UVLO) to a controller. The fault pin is designed to drive an optocoupler.

5.9 Undervoltage protection

Undervoltage detection protects the application in the event of a low V_H supply voltage (during start-up or a fault situation). During undervoltage, the OUTH pin is open and the OUTL pin is driven low (active pull-down for $V_H > 2$ V, passive pull-down for $V_H < 2$ V). Fault output signals the undervoltage state and is reset only when undervoltage state disappears.

Figure 3. Undervoltage protection

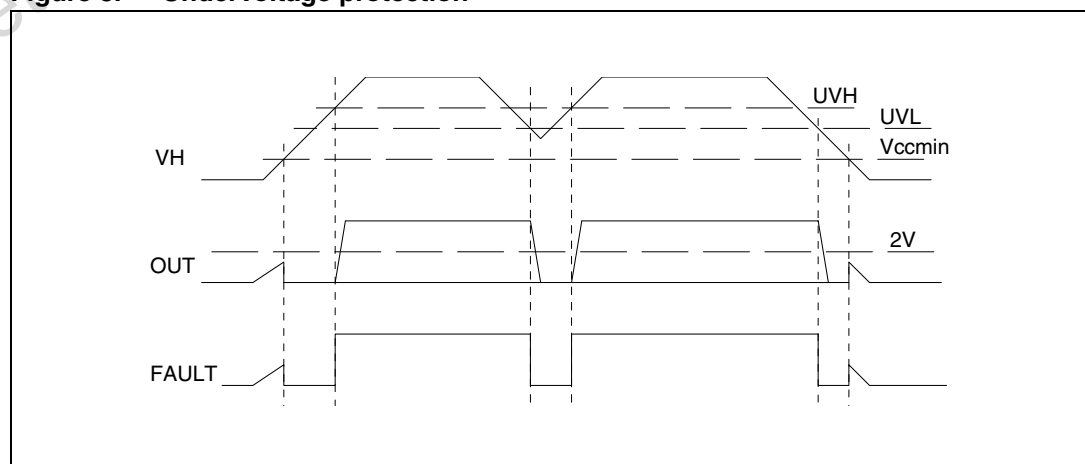
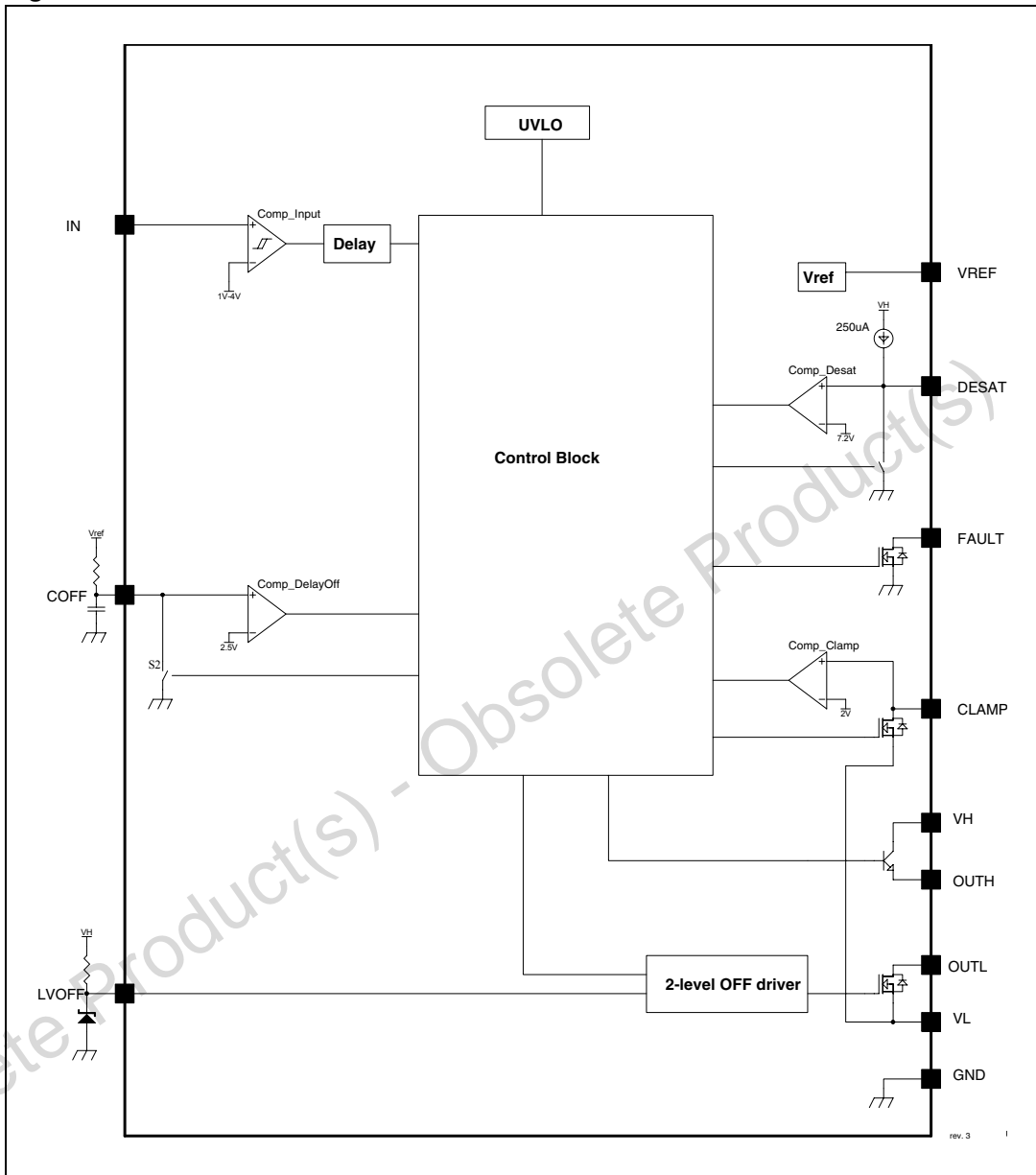


Figure 4. Detailed internal schematic



6 Timing diagrams

Figure 5. Turn-on and turn-off

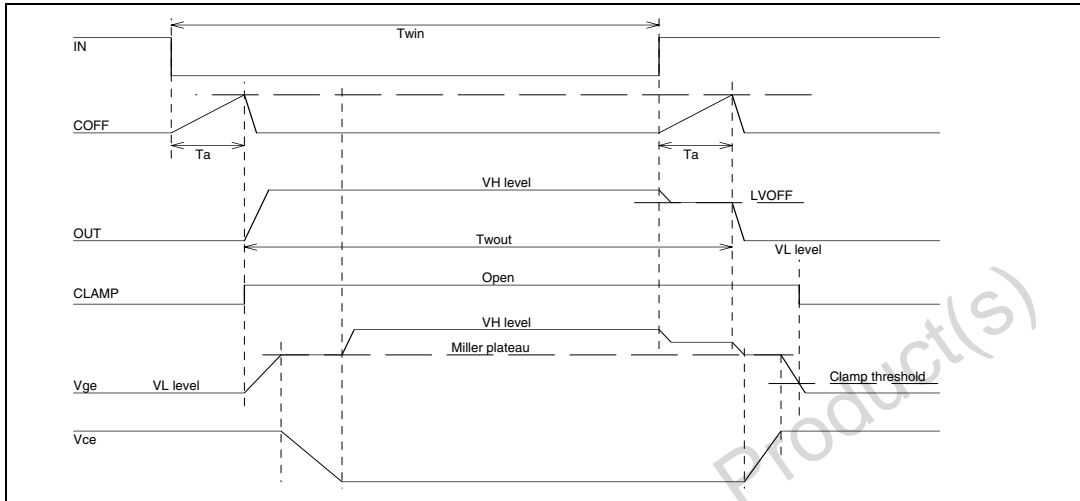


Figure 6. Minimum ON time

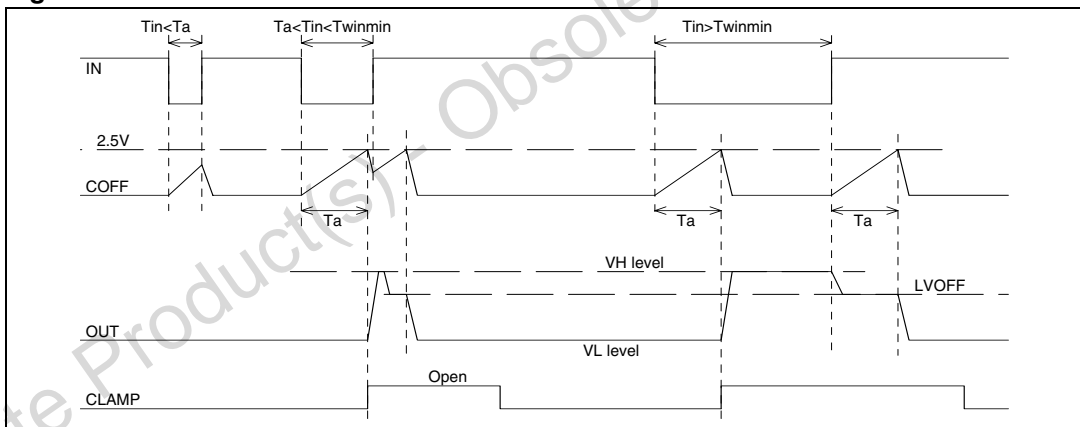
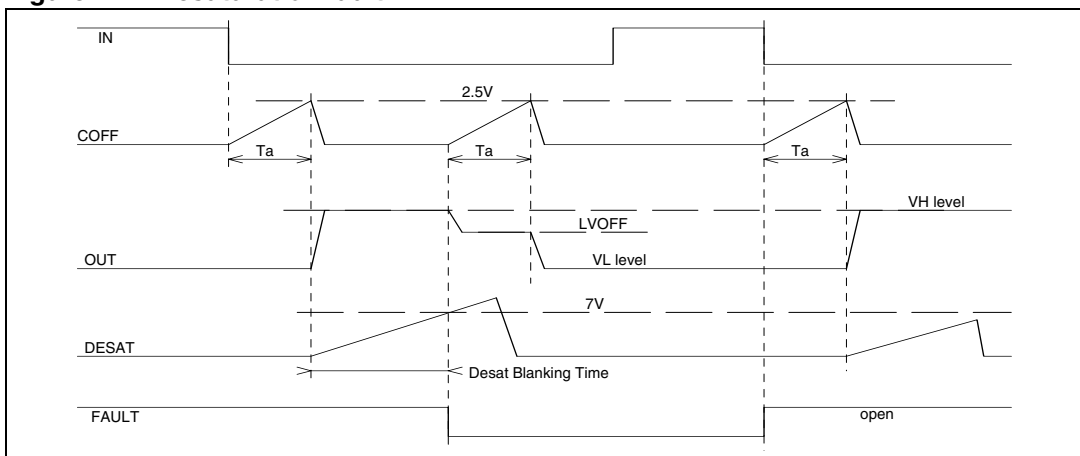


Figure 7. Desaturation fault



7 Typical performance curves

Figure 8. Supply current vs temperature

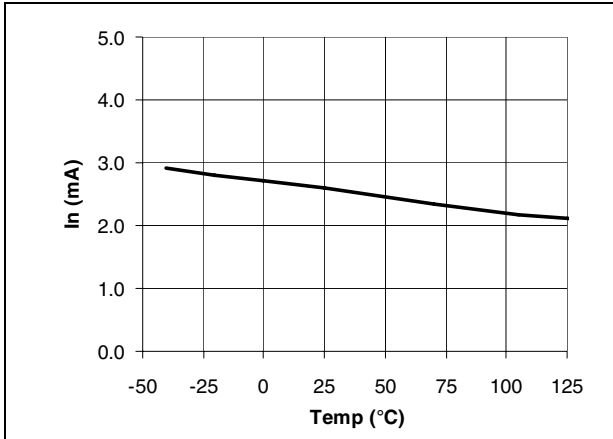


Figure 9. Low level output voltage vs temp.

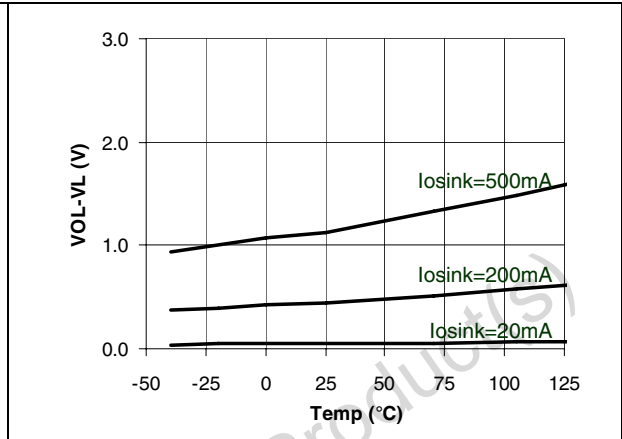


Figure 10. Desaturation threshold vs temp.

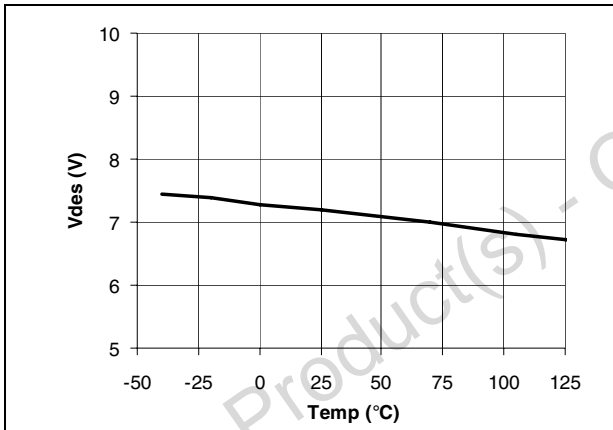


Figure 11. Voltage reference vs temp.

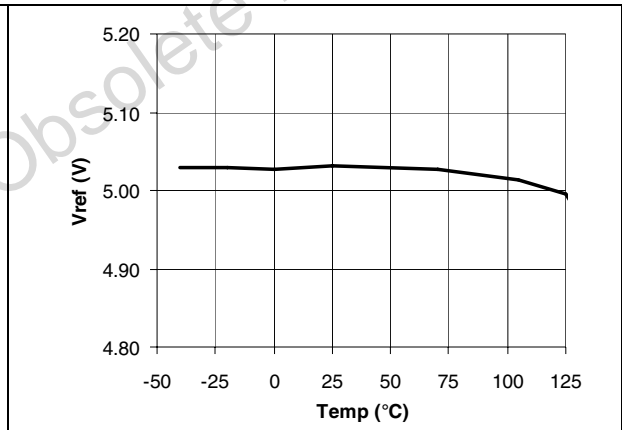


Figure 12. High level output voltage vs temp.

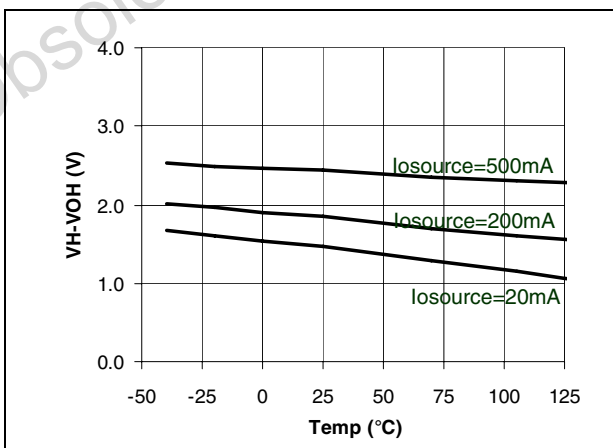
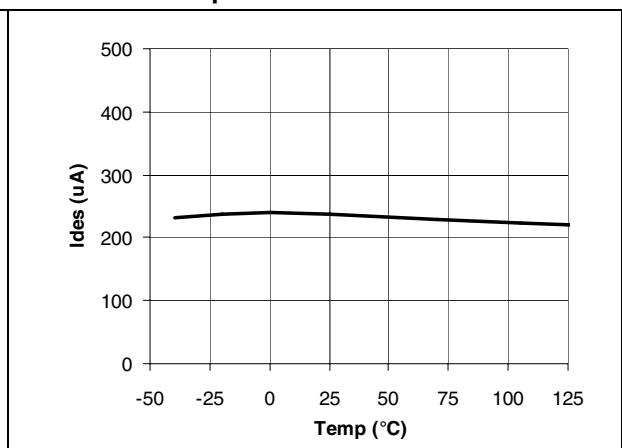


Figure 13. Desaturation source current vs temp.



8 Application diagrams

Figure 14. Single supply IGBT drive with active Miller clamp and 2-level turn-off

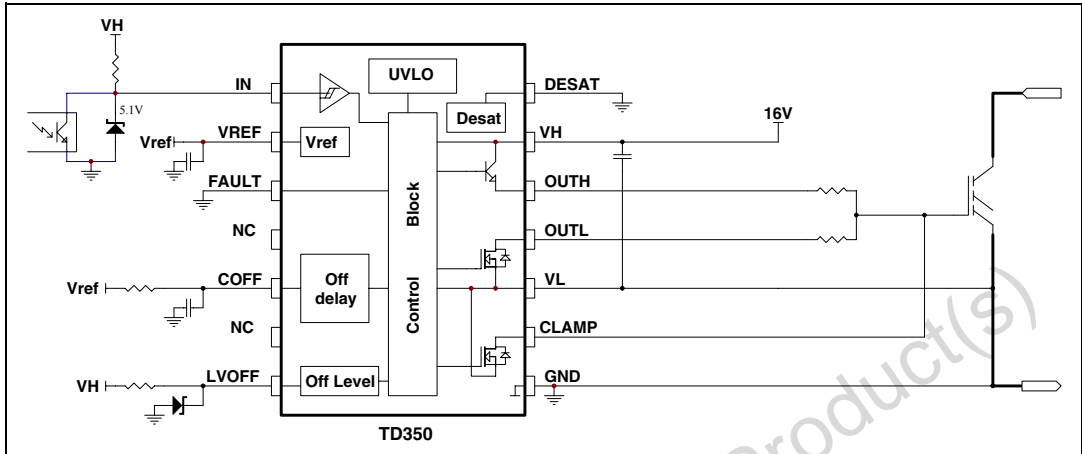


Figure 15. Large IGBT drive with negative gate drive and desaturation detection

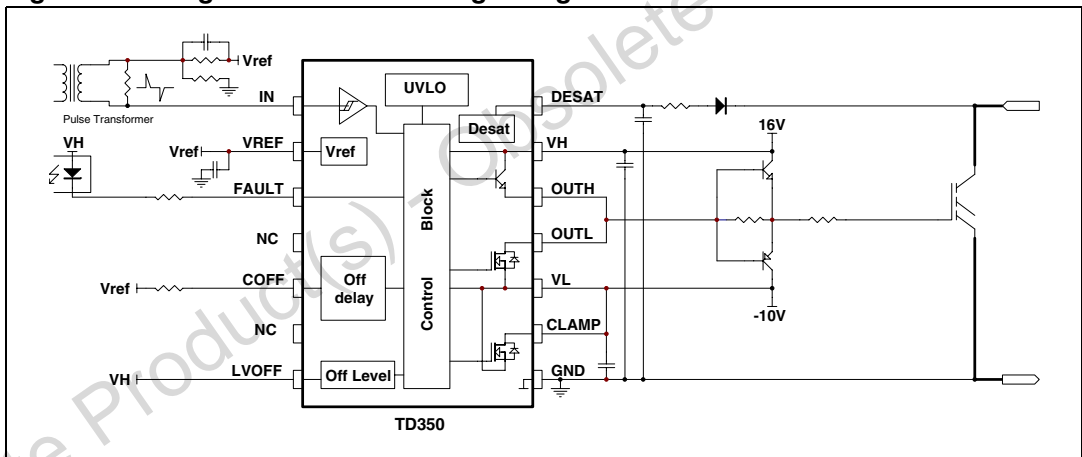
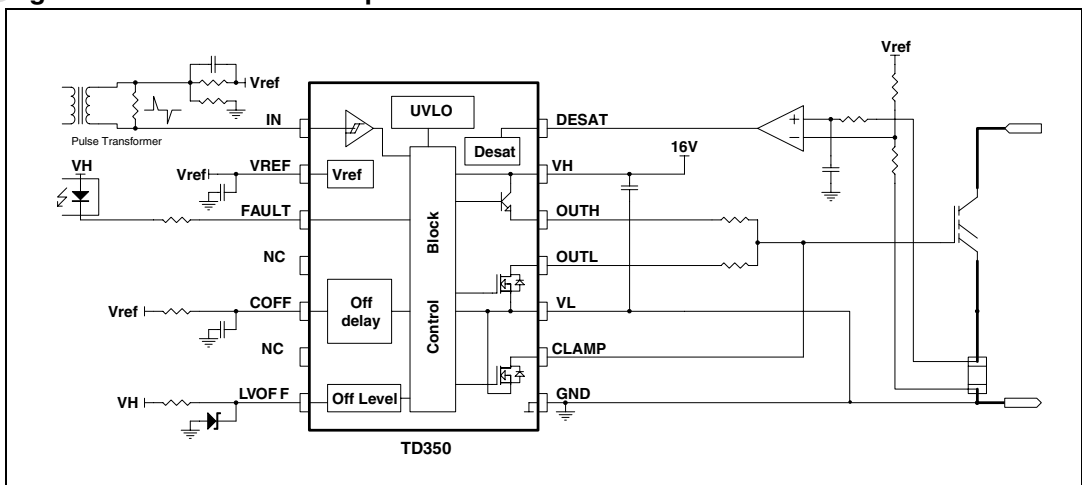


Figure 16. Use of DESAT input for direct overcurrent detection



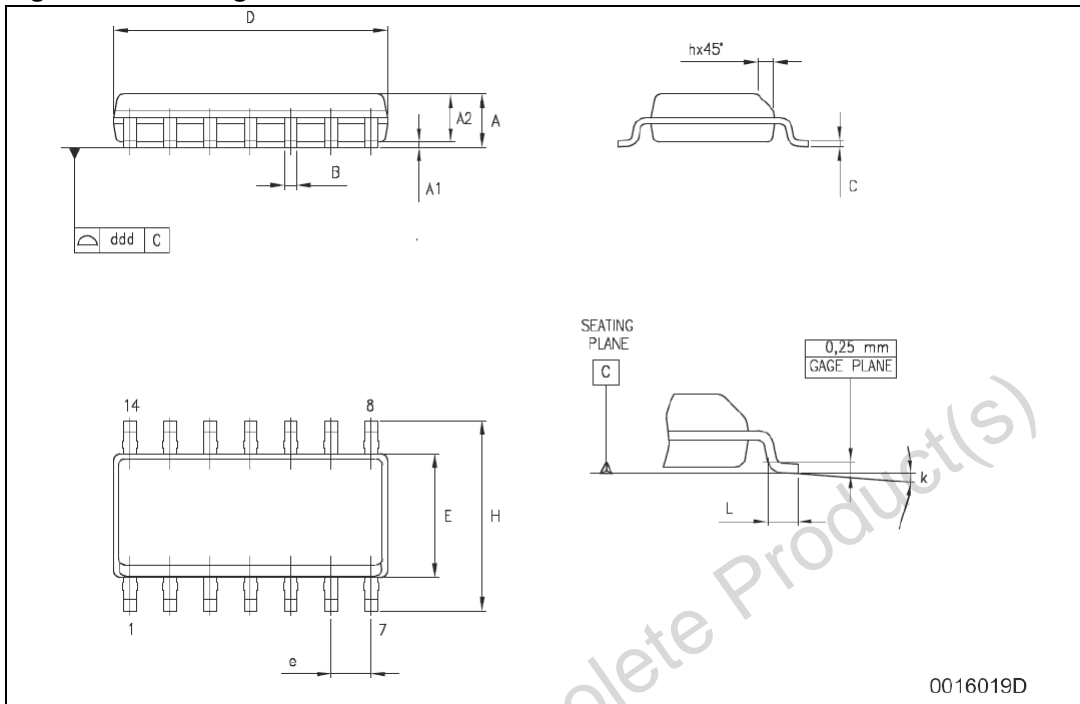
9 Package mechanical data

In order to meet environmental requirements, ST offers these devices in different grades of ECOPACK® packages, depending on their level of environmental compliance. ECOPACK® specifications, grade definitions and product status are available at: www.st.com. ECOPACK® is an ST trademark.

Table 6. SO-14 mechanical data

Dim.	mm.			inch		
	Min	Typ	Max	Min	Typ	Max
A			1.75			0.068
a1	0.1		0.2	0.003		0.007
a2			1.65			0.064
b	0.35		0.46	0.013		0.018
b1	0.19		0.25	0.007		0.010
C		0.5			0.019	
c1	45° (typ.)					
D	8.55		8.75	0.336		0.344
E	5.8		6.2	0.228		0.244
e		1.27			0.050	
e3		7.62			0.300	
F	3.8		4.0	0.149		0.157
G	4.6		5.3	0.181		0.208
L	0.5		1.27	0.019		0.050
M			0.68			0.026
S	8° (max.)					

Figure 17. Package dimensions



Obsolete Product(s) - Obsolete Product(s)

10 Revision history

Table 7. Document revision history

Date	Revision	Changes
	3	No history because migration
01-Aug-2004	4	Updated: Coverpage and Figure 7
17-Feb-2010	5	Updated: Coverpage, Table 3 , Table 5 and Figure 16
28-Apr-2010	6	Updated: Table 5

Obsolete Product(s) - Obsolete Product(s)

Please Read Carefully:

Information in this document is provided solely in connection with ST products. STMicroelectronics NV and its subsidiaries ("ST") reserve the right to make changes, corrections, modifications or improvements, to this document, and the products and services described herein at any time, without notice.

All ST products are sold pursuant to ST's terms and conditions of sale.

Purchasers are solely responsible for the choice, selection and use of the ST products and services described herein, and ST assumes no liability whatsoever relating to the choice, selection or use of the ST products and services described herein.

No license, express or implied, by estoppel or otherwise, to any intellectual property rights is granted under this document. If any part of this document refers to any third party products or services it shall not be deemed a license grant by ST for the use of such third party products or services, or any intellectual property contained therein or considered as a warranty covering the use in any manner whatsoever of such third party products or services or any intellectual property contained therein.

UNLESS OTHERWISE SET FORTH IN ST'S TERMS AND CONDITIONS OF SALE ST DISCLAIMS ANY EXPRESS OR IMPLIED WARRANTY WITH RESPECT TO THE USE AND/OR SALE OF ST PRODUCTS INCLUDING WITHOUT LIMITATION IMPLIED WARRANTIES OF MERCHANTABILITY, FITNESS FOR A PARTICULAR PURPOSE (AND THEIR EQUIVALENTS UNDER THE LAWS OF ANY JURISDICTION), OR INFRINGEMENT OF ANY PATENT, COPYRIGHT OR OTHER INTELLECTUAL PROPERTY RIGHT.

UNLESS EXPRESSLY APPROVED IN WRITING BY AN AUTHORIZED ST REPRESENTATIVE, ST PRODUCTS ARE NOT RECOMMENDED, AUTHORIZED OR WARRANTED FOR USE IN MILITARY, AIR CRAFT, SPACE, LIFE SAVING, OR LIFE SUSTAINING APPLICATIONS, NOR IN PRODUCTS OR SYSTEMS WHERE FAILURE OR MALFUNCTION MAY RESULT IN PERSONAL INJURY, DEATH, OR SEVERE PROPERTY OR ENVIRONMENTAL DAMAGE. ST PRODUCTS WHICH ARE NOT SPECIFIED AS "AUTOMOTIVE GRADE" MAY ONLY BE USED IN AUTOMOTIVE APPLICATIONS AT USER'S OWN RISK.

Resale of ST products with provisions different from the statements and/or technical features set forth in this document shall immediately void any warranty granted by ST for the ST product or service described herein and shall not create or extend in any manner whatsoever, any liability of ST.

ST and the ST logo are trademarks or registered trademarks of ST in various countries.

Information in this document supersedes and replaces all information previously supplied.

The ST logo is a registered trademark of STMicroelectronics. All other names are the property of their respective owners.

© 2010 STMicroelectronics - All rights reserved

STMicroelectronics group of companies

Australia - Belgium - Brazil - Canada - China - Czech Republic - Finland - France - Germany - Hong Kong - India - Israel - Italy - Japan - Malaysia - Malta - Morocco - Philippines - Singapore - Spain - Sweden - Switzerland - United Kingdom - United States of America

www.st.com

Mouser Electronics

Authorized Distributor

Click to View Pricing, Inventory, Delivery & Lifecycle Information:

[STMicroelectronics:](#)

[TD350IDT](#) [TD350ID](#) [DEMOTD350](#)