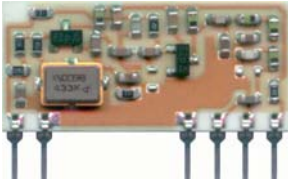


## RT11-XXX

### Radio Transmitter Module with SAW Resonator and External Antenna



#### General description

The RT11-XXX is a two-stages radio transmitter ( SAW oscillator + power amplifier).

It shows stable electric characteristics thanks to the "Thick film hybrid" technology.

XXX : working frequency (315, 418, 433.92 MHz)

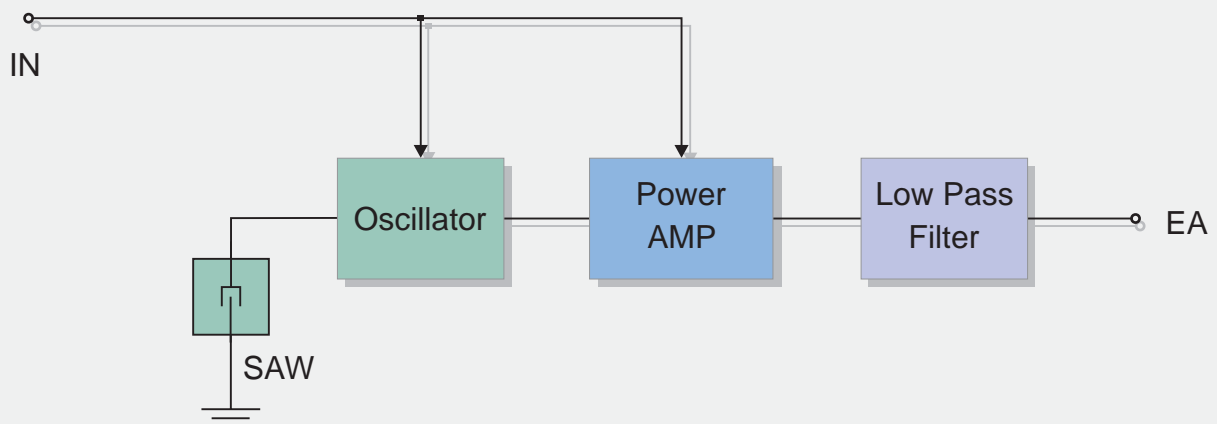
#### Features

- High Reliability
- SIL Package

#### Applications

- Wireless security systems
- Car Alarm systems
- Remote gate controls
- Sensor reporting

#### CIRCUIT SCHEMATIC



## Electrical Characteristics

Ta = 25°C unless otherwise specified

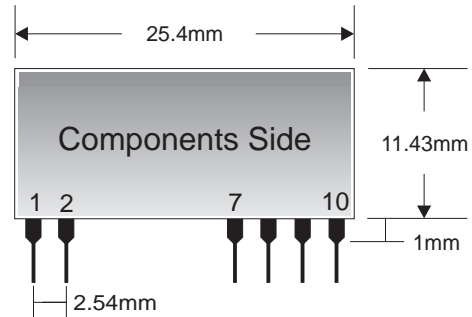
CHARACTERISTICS		MIN	TYP	MAX	UNIT
V <sub>CC</sub>	Supply Voltage	2		6	VDC
I <sub>S</sub>	Supply Current (V <sub>CC</sub> =5V IN=1KHz Square Wave)		8		mA
F <sub>W</sub>	Working Frequency		433.92		MHz
P <sub>O</sub>	RF Output Power into 50Ω (V <sub>i</sub> = V <sub>CC</sub> = 3.3V)	10	12		dBm
	Harmonic Spurious Emission		-55		dBc
V <sub>IH</sub>	Input High Voltage	2		V <sub>CC</sub>	V
	Max Data Rate			9.6	Kbit/s
T <sub>OP</sub>	Operating Temperature Range	-25		+80	°C

Typically, equipment utilizing this device requires emissions testing and government approval, which is the responsibility of the equipment manufacturer.

## Pin Description

1	IN	Modulation Input
2	GND	Ground
7	GND	Ground
8	EA	External Antenna
9	GND	Ground
10	V <sub>CC</sub>	Supply Voltage

## Mechanical Dimensions



## TYPICAL APPLICATION

