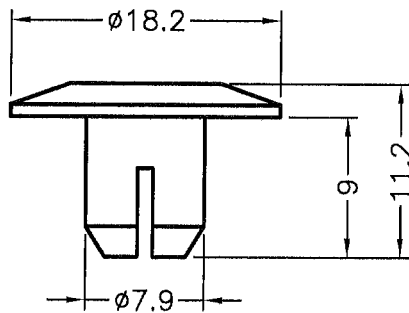
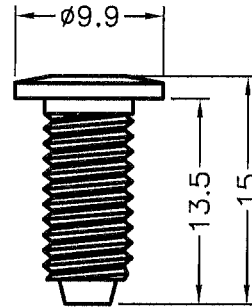


DTM.	TOL
5mm DOWN	±0.2
5~20mm	±0.3
20~40mm	±0.4
40~60mm	±0.5
60~100mm	±0.8
100mm UP	±1.0

REVISIONS			
REV	DESCRIPTION	DATE	BY



BODY



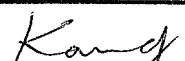


SCREW

HOLE IN CHASSIS:  $\phi 8.0$   
CHASSIS THICKNESS 3.5~4.2

NOTE: 1. Each part will be packed together, then packed all in one bag.  
2. All measurement does not include gate which raises under 0.3mm.



 康揚企業股份有限公司 KANG YANG HARDWARE ENTERPRISE CO., LTD. 康揚塑膠(東莞)有限公司 KANG YANG PLASTIC(DONG GUAN) CO., LTD. 康哲電腦配件(吳江)有限公司 KANG CHE COMPUTER COMPONENTS(WUJIANG) CO., LTD.		TITLE	SNAP RIVET	SPEC. DWG.
		MATERIAL	NYLON 66 UL94V-2	DATE
PART NUMBER		FINISH	DRAWN	LIN
DRAWING NUMBER		COLOR	CHECK	
SIZE	SCALE	UNLESS OTHERWISE SPECIFIED TOLERANCE	APPROVED	
A4	2:1	SEE ABOVE		