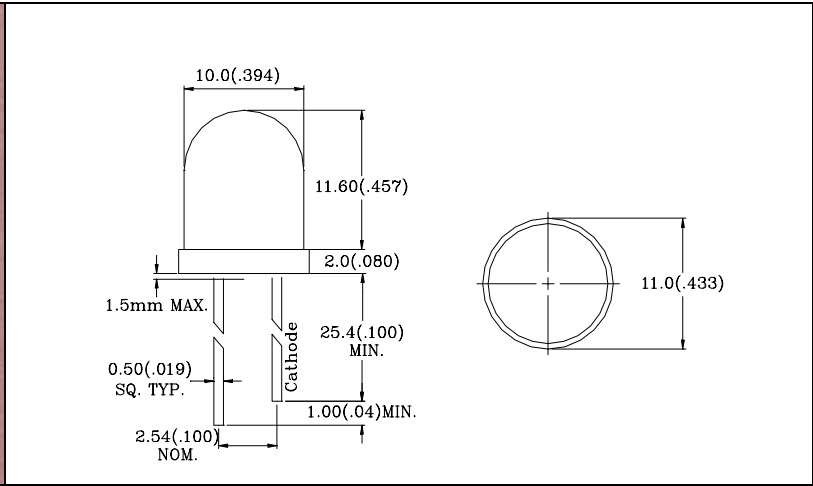
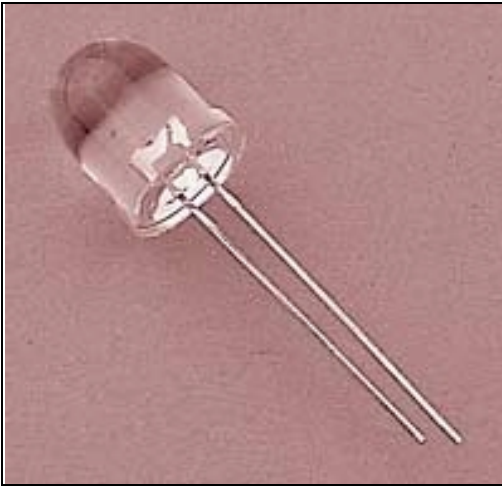


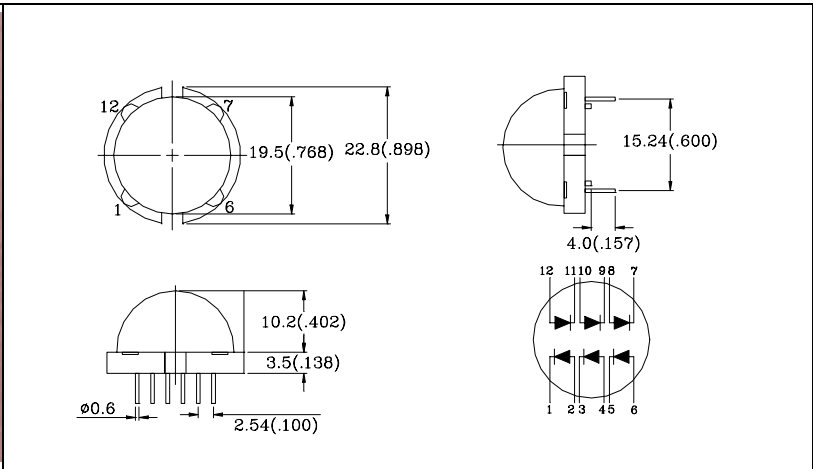
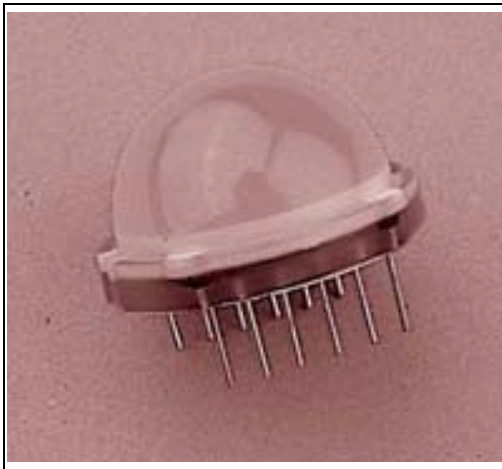


L-833XX 10.0mm Dia LED LAMP



Part No.	Chip		Lens Color	Wave Length λ p(nm)	Electro-Optical Characteristics			View Angle (deg)
	Raw Material	Emitted Color			Vf(V)20mA		Iv(mcd)10mA	
					Typ.	Max.	Typ.	
L-833HD	GaP	Red	Red Diffused	700	2.1	2.8	7.5	60
L-833GD	GaP	Green	Green Diffused	565	2.1	2.8	15.0	60
L-833YD	GaAsP/GaP	Yellow	Yellow Diffused	585	2.1	2.8	15.0	60
L-833ED	GaAsP/GaP	Hi. effi Red	Red Diffused	635	2.0	2.8	20.0	60
L-833SRD	GaAlAs	Super Red	Red Diffused	660	1.8	2.4	200	60

L-873XX 20.0mm Dia BIG LED LAMP



Part No.	Chip		Lens Color	Wave Length λ p(nm)	Electro-Optical Characteristics			View Angle (deg)
	Raw Material	Emitted Color			Vf(V)20mA		Iv(mcd)10mA	
					Typ.	Max.	Typ.	
L-873HD	GaP	Red	Red Diffused	700	2.1	2.8	10.0	120
L-873GD	GaP	Green	Green Diffused	565	2.1	2.8	20.0	120
L-873YD	GaAsP/GaP	Yellow	Yellow Diffused	585	2.1	2.8	20.0	120
L-873ED	GaAsP/GaP	Hi. effi Red	Red Diffused	635	2.0	2.8	25.0	120
L-873SRD	GaAlAs	Super Red	Red Diffused	660	1.8	2.4	100	120

- 1.All dimension are in millimeters (inches).
- 2.Tolerance is ± 0.25 mm (0.01") unless otherwise specified.

This datasheet has been downloaded from:

www.DatasheetCatalog.com

Datasheets for electronic components.