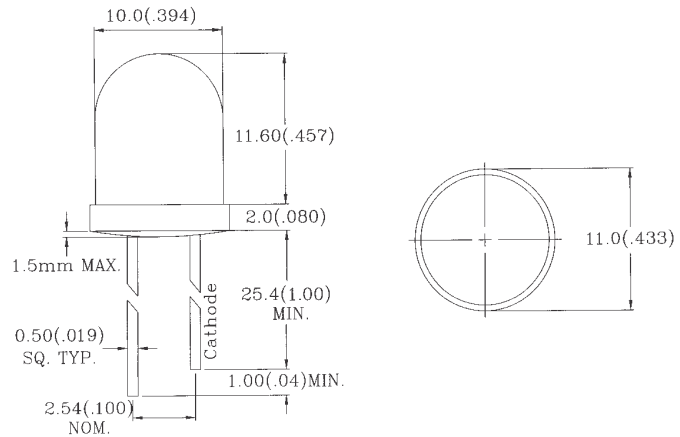
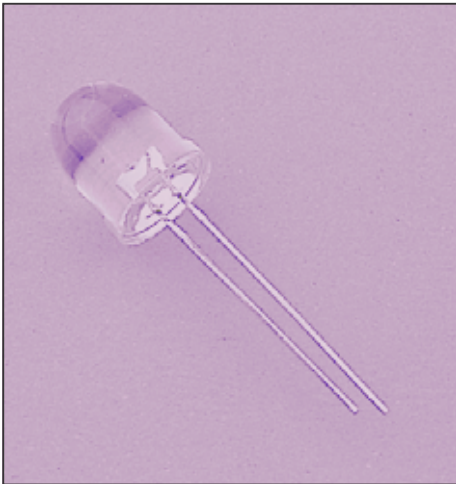
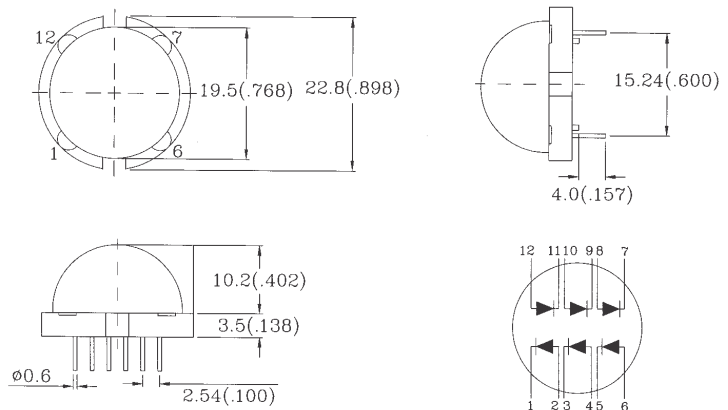
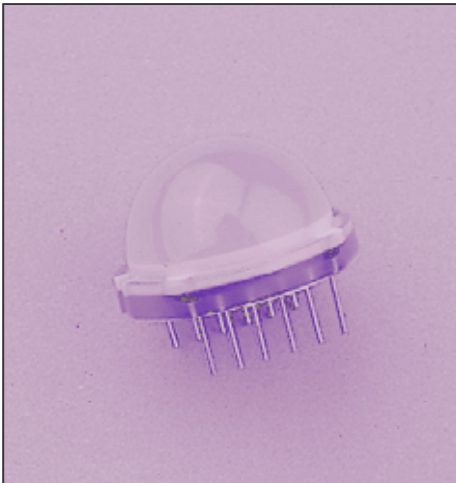


L-833XX 10.0 mm Dia LED LAMP



Part No.	Chip		Lens Color	Wave Length λ p(nm)	Electro-Optical Characteristics			View Angle (deg)
	Raw Material	Emitted Color			Vf(V)20mA		lv(mcd)20mA	
					Typ.	Max.	Typ.	
L-833HD	GaP	Red	Red Diffused	700	2.3	2.8	4.0	150
L-833GD	GaP	Green	Green Diffused	565	2.2	2.8	10.0	150
L-833YD	GaAsP/GaP	Yellow	Yellow Diffused	585	2.1	2.8	9.0	150
L-833ED	GaAsP/GaP	Hi.effi Red	Red Diffused	635	2.1	2.8	18.0	150
L-833SRD	GaAlAs	Super Red	Red Diffused	660	1.8	2.2	25.0	150

L-873XX 20.0 mm Dia BIG LED LAMP



Part No.	Chip		Lens Color	Wave Length λ p(nm)	Electro-Optical Characteristics			View Angle (deg)
	Raw Material	Emitted Color			Vf(V)20mA		lv(mcd)20mA	
					Typ.	Max.	Typ.	
L-873HD	GaP	Red	Red Diffused	700	2.3	2.8	10.0	120
L-873GD	GaP	Green	Green Diffused	565	2.2	2.8	20.0	120
L-873YD	GaAsP/GaP	Yellow	Yellow Diffused	585	2.1	2.8	20.0	120
L-873ED	GaAsP/GaP	Hi.effi Red	Red Diffused	635	2.1	2.8	25.0	120
L-873SRD	GaAlAs	Super Red	Red Diffused	660	1.8	2.2	100	120

- 1.All dimension are in millimeters (inches).
- 2.Tolerance is ± 0.25 mm (0.01") unless otherwise specified.