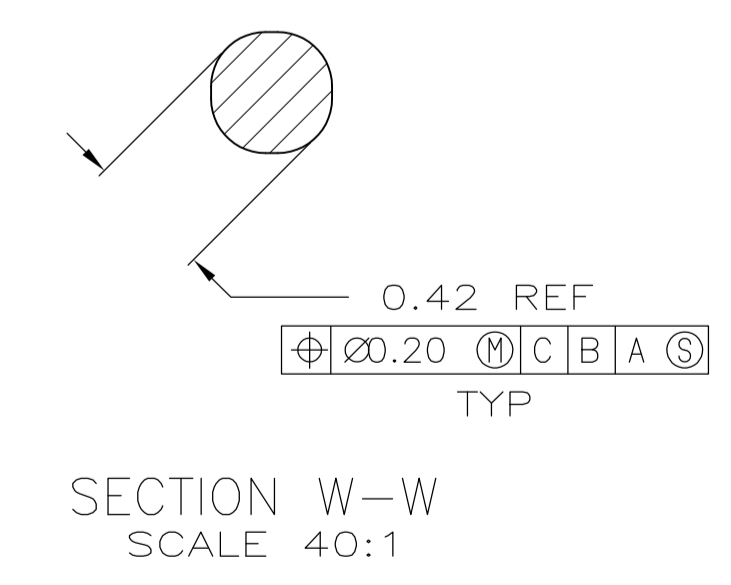
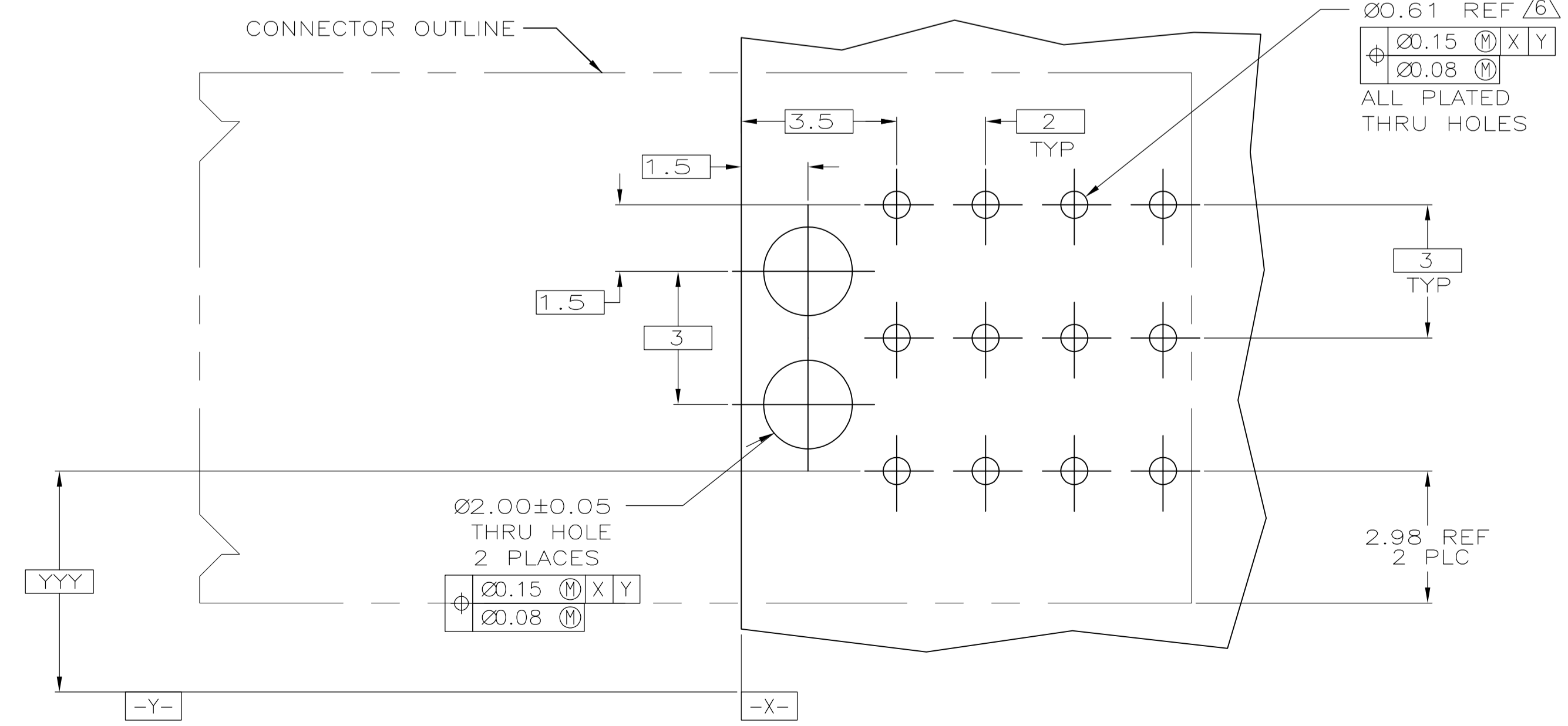
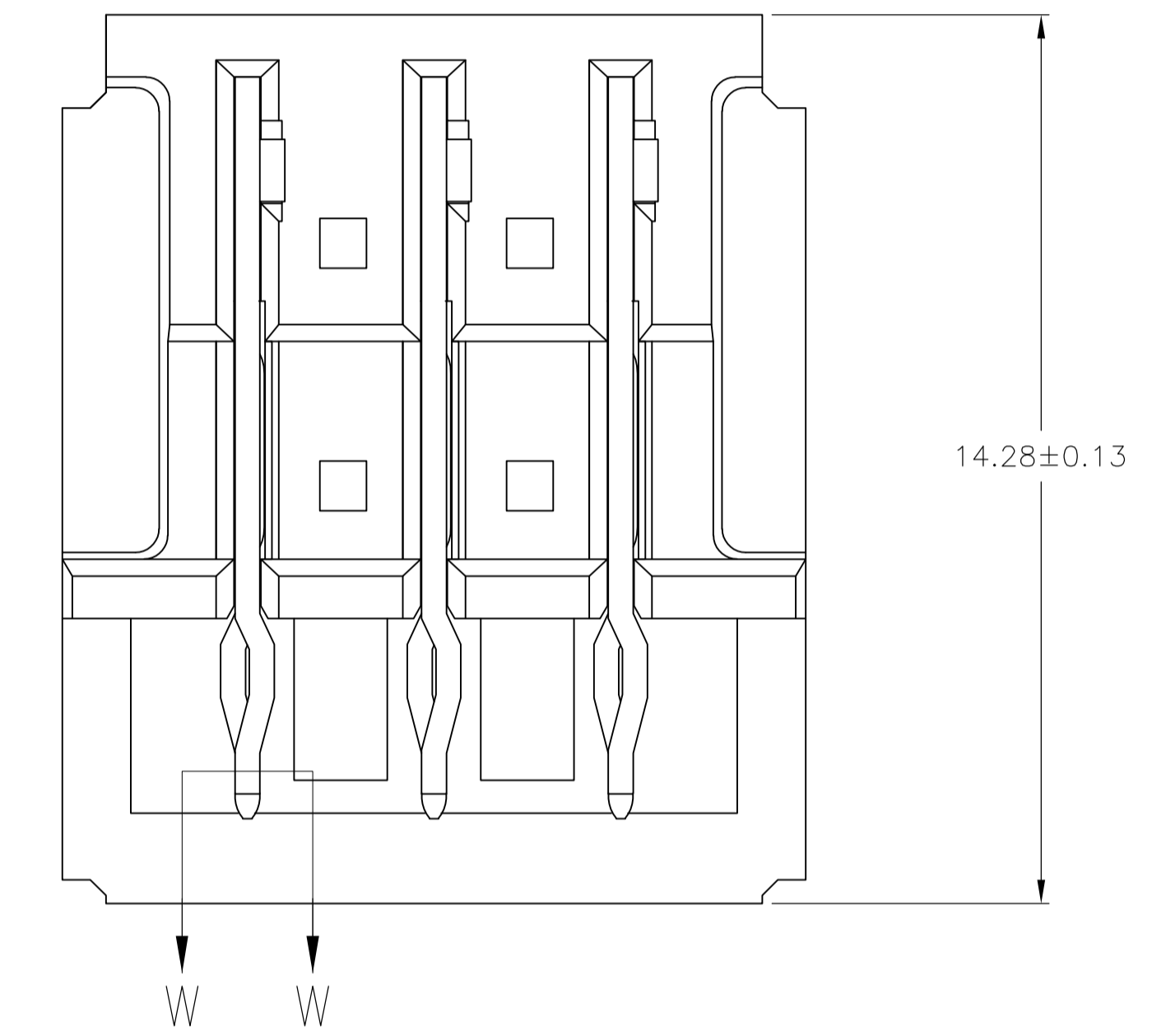
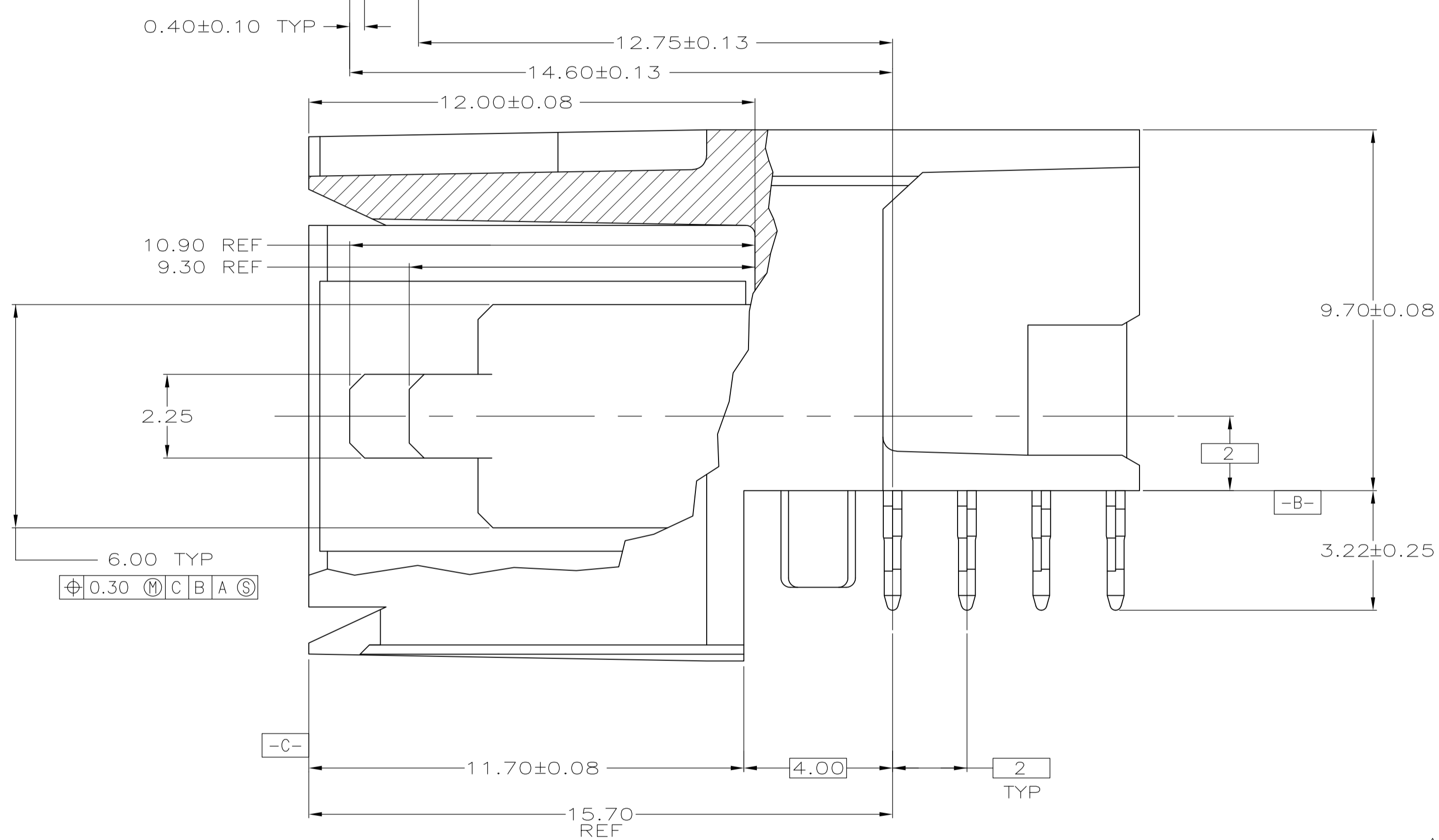
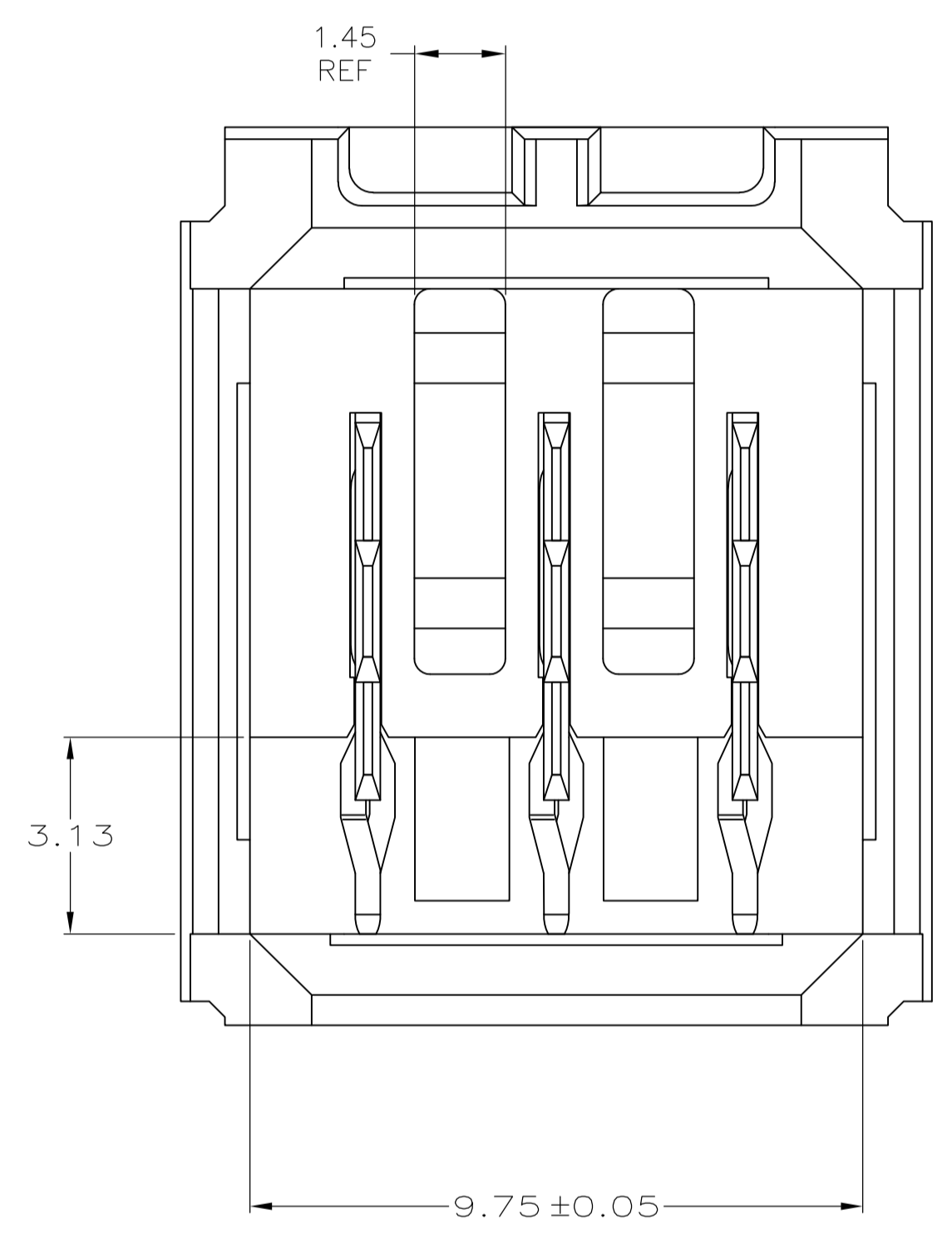


- 1 MATERIAL: HOUSING: POLYESTER. COLOR: GRAY. UL 94V-0. CONTACT: PHOSPHOR BRONZE.
 - 2 FINISH: CONTACT MATING AREA: 1.27µm MIN GOLD OR 0.08µm MIN GOLD OVER 0.76µm MIN PALLADIUM-NICKEL. ACTION PIN AREA: 0.5µm MIN TIN LEAD PLATE, ALL OVER 1.27µm MIN NICKEL UNDERPLATE.
 - 3 FINISH: CONTACT LUBRICATION WITH BELLCORE APPROVED LUBRICANT. TECHNICAL REFERENCE: TR-NWT-001217 ISSUE 1, SEPTEMBER 1992.
 - 4 NUMBER "5" MARKED IN THIS AREA.
 - 5 OBSOLETE
 - 6 REFERENCE APPLICATION SPEC 114-1103 FOR RECOMMENDED PLATED THRU HOLE DIAMETER AND PLATING THICKNESSES.
7. CURRENT RATING 10A/CONTACT PER PRODUCT SPEC 108-1651.



5	4	GRAY	1-223962-0
5	4	BLACK	223962-4
5	4	GRAY	223962-1
HOUSING COLOR		PART NUMBER	

RECOMMENDED PCB HOLE LAYOUT

THIS DRAWING IS A CONTROLLED DOCUMENT.

DIMENSIONS:	TOLERANCES UNLESS OTHERWISE SPECIFIED:	DIN R. BUCHHEISTER 20/SEP/95	Tyco Electronics Corporation Harrisburg, PA 17105-3608
mm	0. PLC ± -	CHK N. NORRIS 20/SEP/95	NAME
	1. PLC ± -	APP'D D. SINISI 20/SEP/95	PRODUCT SPEC
	2. PLC ± 0.13		APPLICATION SPEC
	3. PLC ± -		SIZE
	4. PLC ± -		SCALE
	ANGLES ± -		RESTRICTED TO
MATERIAL	FINISH	WEIGHT	CUSTOMER DRAWING
1	2-3	A1 00779	SCALE 10:1 SHEET 1 OF 1 REV N

Mouser Electronics

Authorized Distributor

Click to View Pricing, Inventory, Delivery & Lifecycle Information:

[TE Connectivity:](#)

[223962-1](#)