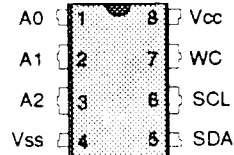
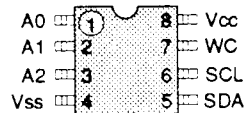


Preliminary

2,048-Bit Serial Electrically Erasable PROM

FEATURES

- **Low Power CMOS**
 - Active current less than 2mA
 - Standby current less than 2 μ A
- **Hardware Write Protection**
 - Write Control pin
- **Internally Organized as 256 x 8**
- **Two Wire Serial Interface (I²C™)**
 - Bidirectional data transfer protocol
- **Four-Byte Page-Write Mode**
 - Minimizes total write time per byte
- **Automatic Word Address Incrementing**
 - Sequential register read
- **Self-Timed Write Cycle**
 - Maximum write cycle time of 10ms
- **High Reliability**
 - Endurance: 100,000 cycles per byte
 - Data retention: 10 years
- **8-Pin PDIP or SOIC Packages**

PIN CONFIGURATIONS**Plastic Dual-in-line
"P" Package****EIAJ Small Outline
"JR" Package****OVERVIEW**

The XL24C02 is a low-cost 2,048-bit serial E²PROM. It is fabricated using EXEL's advanced CMOS E²PROM technology and operates from a single supply.

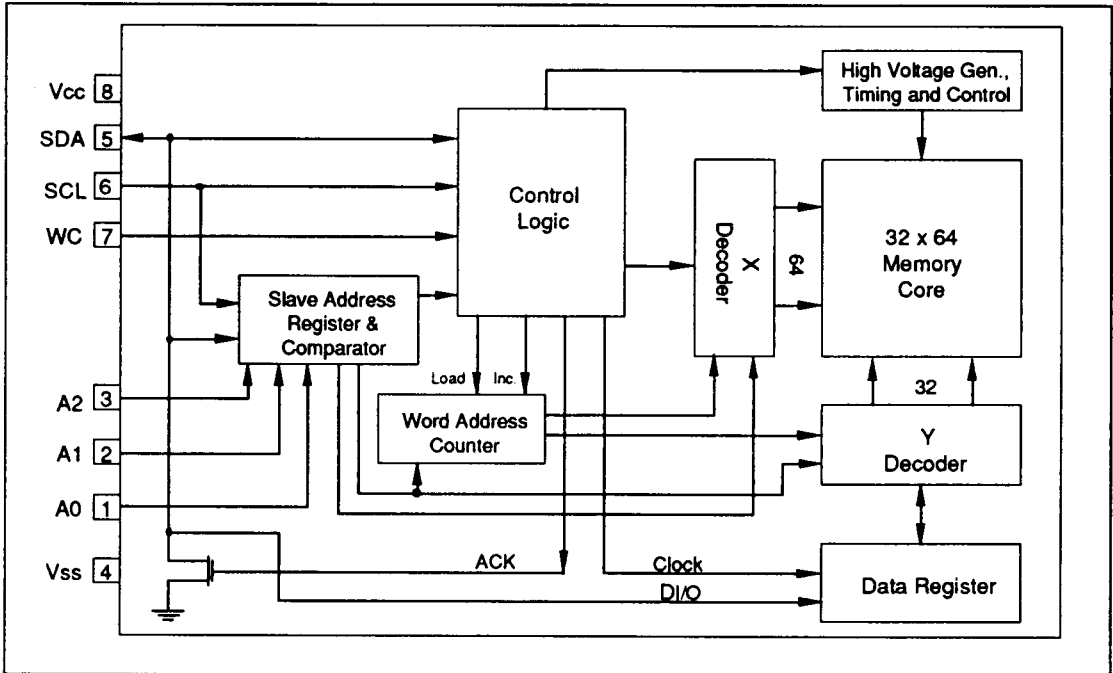
The XL24C02 is internally organized as a 256 x 8 memory bank. The XL24C02 features a serial interface and software protocol allowing operation on a simple two-wire bus (I²C™). Up to eight XL24C02s may be connected to the 2-wire bus, by programming the A0, A1 and A2 inputs.

PIN NAMES

A0-A2	Address Inputs
SDA	Serial Data I/O
SCL	Serial Clock Input
WC	Write Control Input
V _{SS}	Ground
V _{CC}	Supply Voltage

Preliminary

BLOCK DIAGRAM



PIN DESCRIPTIONS

Serial Clock (SCL) - The SCL input is used to clock all data into and out of the device. In the WRITE mode, data must remain stable when SCL is HIGH. In the READ mode, data is clocked out on the falling edge of SCL.

Serial Data (SDA) - The SDA pin is a bidirectional pin used to transfer data into and out of the device. Data may change only when SCL is LOW. It is an open-drain output, and may be wire-ORed with any number of open-drain or open-collector outputs.

A0, A1 and A2 - The address inputs are used to set the least significant three bits of the slave address. These inputs may be tied HIGH or LOW, or they may be actively driven. These inputs allow up to eight XL24C02 devices to be connected together on the bus.

Write Control (WC) - The Write Control input is used to disable any attempt to write to the memory. When HIGH, the memory is protected; when LOW, the write function is normal.

ENDURANCE AND DATA RETENTION

The XL24C02 is designed for applications requiring up to 100,000 write cycles and unlimited read cycles. It provides ten years of secure data retention, with or without power applied, after the execution of 100,000 write cycles.

APPLICATIONS

The XL24C02 is ideal for high volume applications requiring low power and low density storage. This device uses a low-cost, space-saving 8-pin plastic package. Candidate applications include robotics, alarm devices, electronic locks, meters and instrumentation.

CHARACTERISTICS OF THE I²C™ BUS

General Description

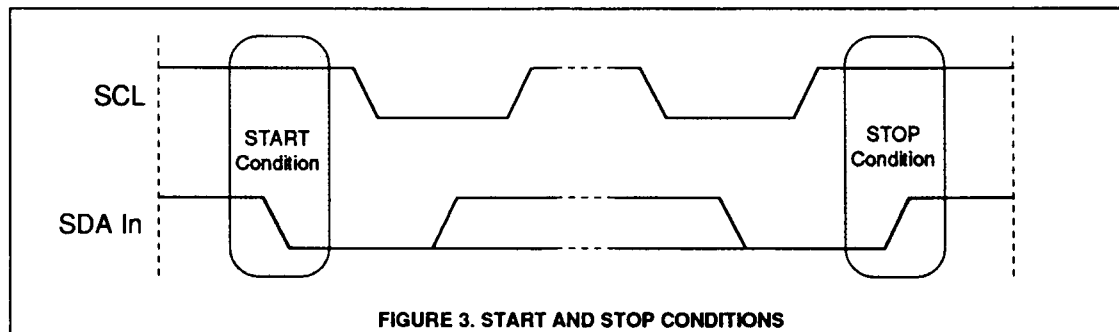
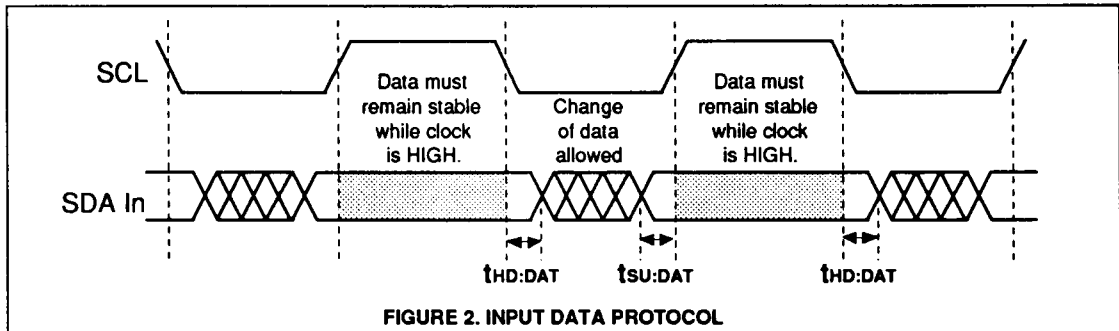
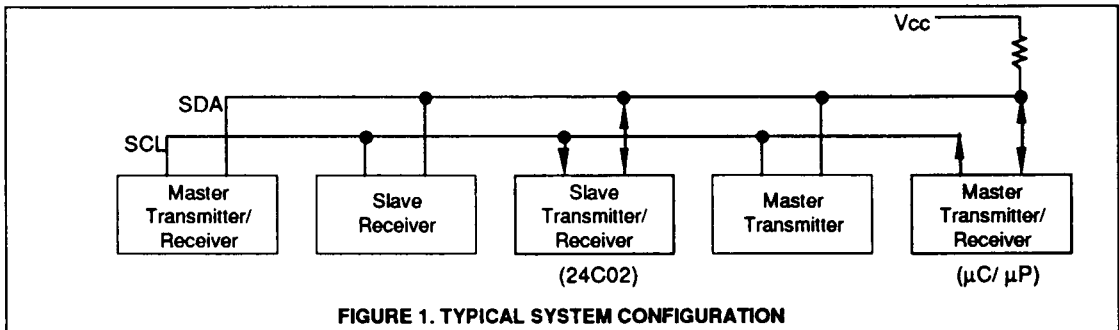
The I²C™ bus was designed for 2-way, 2-line serial communication between different integrated circuits. The two lines are: a serial data line (SDA), and a serial clock line (SCL). The SDA line must be connected to a positive supply by a pull-up resistor, located somewhere on the bus. Refer to Figure 1 below, "Typical System Configuration." Data transfer may be initiated only when the bus is "not busy," which is defined as both SCL and SDA inputs being HIGH.

Input Data Protocol

One data bit is transferred during each clock pulse. The data on the SDA line must remain stable during the HIGH period of the clock pulse, because changes on the data line at this time will be interpreted as control signals. Refer to Figure 2 below.

START and STOP Conditions

Both data and clock lines remain HIGH when the bus is not busy. A HIGH-to-LOW transition of the data line, while the clock is HIGH, is defined as the "START" condition. A LOW-to-HIGH transition of the data line, while the clock is HIGH, is defined as the "STOP" condition. Refer to Figure 3 below.



Preliminary

DEVICE OPERATION

The XL24C02 is a 2,048-bit serial E²PROM. The device supports a bidirectional data transmission protocol. The protocol defines any device that sends data onto the bus as a "transmitter," and the receiving device as the "receiver." The device controlling the data transmission is the "master," and the controlled device is the "slave." In all cases, the XL24C02 will be a "slave" device, since it never initiates any data transfers.

Up to eight XL24C02s can be connected to the bus, selected by the A0, A1 and A2 device inputs. A0, A1 and A2 must be connected to either V_{cc} or V_{ss}. A0, A1 and A2 define the device address. Other devices may be connected to the bus, but need a different device identification code.

Acknowledge (ACK)

Acknowledge is a software convention used to indicate successful data transfers. The transmitting device, either the master or the slave, will release the bus after transmitting eight bits. During the ninth clock cycle, the receiver will pull the SDA line LOW to ACKnowledge that it received the eight bits of data. (See Figure 4.)

The XL24C02 will respond with an ACKnowledge after recognition of a START condition and its slave address. If both the device and a WRITE operation have been selected, the XL24C02 will respond with an ACKnowledge, after the receipt of each subsequent 8-bit word.

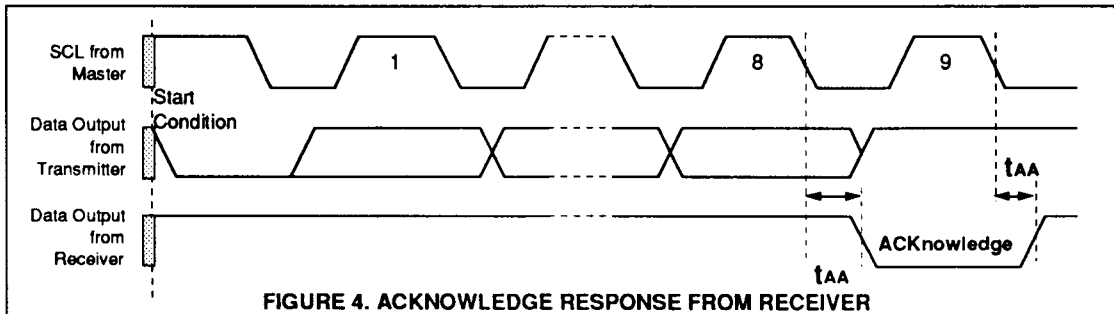
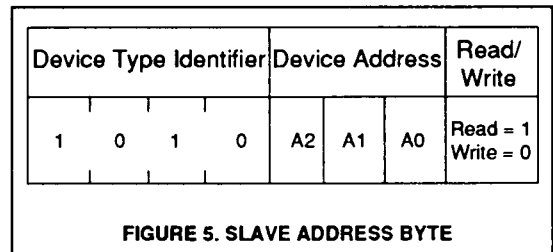
In the READ mode, the XL24C02 will transmit eight bits of data, release the SDA line, and monitor the line for an ACKnowledge. If an ACKnowledge is detected, and no STOP condition is generated by the master, the XL24C02 will continue to transmit data. If an ACKnowledge is not detected, the XL24C02 will terminate further data transmissions. The master must then issue a STOP condition to return the XL24C02 to the standby power mode.

Slave Address Byte

Following a START condition, the master must output the address of the slave that it is accessing. The most significant four bits of the slave address are the "device type identifier." For an I²C™ memory device, this is fixed as 1010. Refer to Figure 5 below.

The next three significant address bits address a particular device. A system may have up to eight XL24C02 devices on the bus. The eight addresses are defined by the state of the A0, A1 and A2 inputs.

The last bit of the slave address defines the operation to be performed. When set to "1," a READ operation is selected; when set to "0," a WRITE operation is selected.



WRITE OPERATIONS

Page WRITE

Byte WRITE

For a WRITE operation, the XL24C02 requires a second address field. This address field is the word address, comprised of eight bits, which provides access to any one of the 256 words of memory.

Upon receipt of the word address, the XL24C02 responds with an ACKnowledge, and waits for the next eight bits of data, again responding with an ACKnowledge. The master then terminates the transfer by generating a STOP condition, at which time the XL24C02 begins the internal WRITE cycle to the nonvolatile array.

While the internal WRITE cycle is in progress, the XL24C02 inputs are disabled, and the device will not respond to any requests from the master. Refer to Figure 6 below for the address, ACKnowledge, and data transfer sequence.

The XL24C02 is capable of a 4-byte page-WRITE operation. It is initiated in the same manner as the byte-WRITE operation, but instead of terminating the write cycle after the first data word is transferred, the master can transmit up to three more words. After the receipt of each word, the XL24C02 will respond with an ACKnowledge.

After the receipt of each word, the two low order address bits are internally incremented by one. The high order six bits of the address remain constant. If the master should transmit more than four words, prior to generating the STOP condition, the address counter will "roll over," and the previously written data will be overwritten. As with the byte-WRITE operation, all inputs are disabled until completion of the internal WRITE cycle. Refer to Figure 6 below for the address, ACKnowledge, and data transfer sequence.

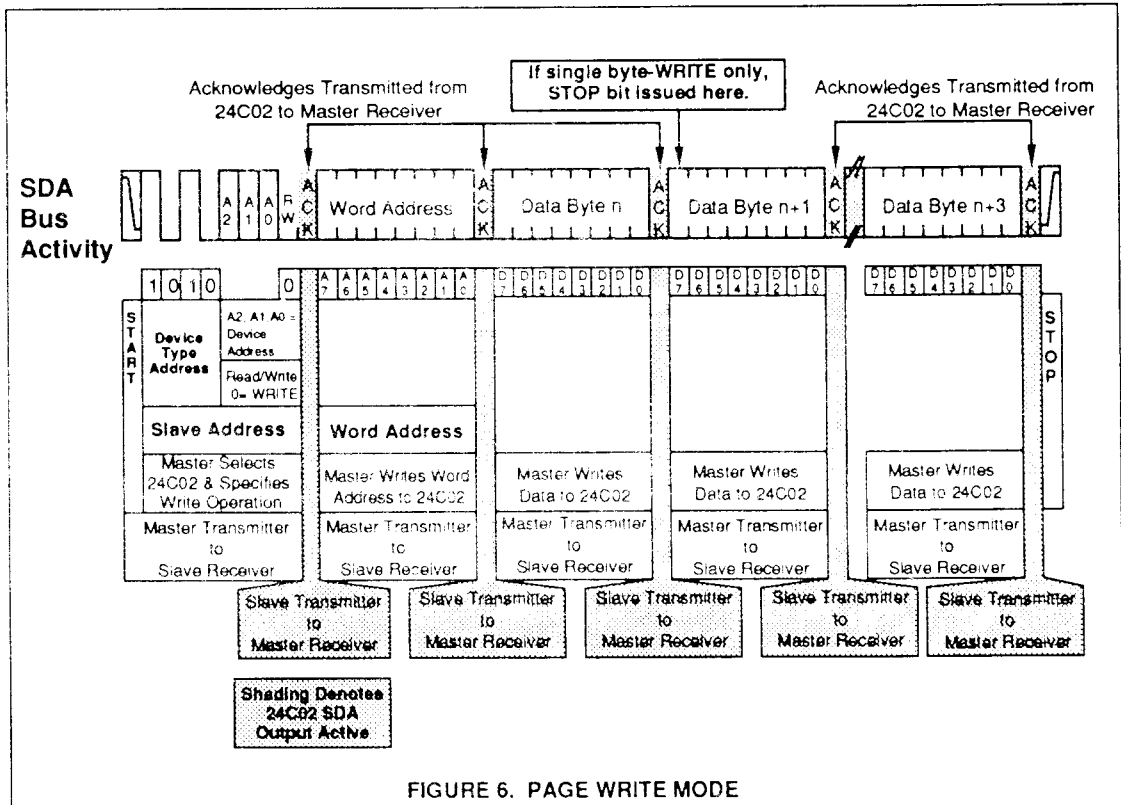


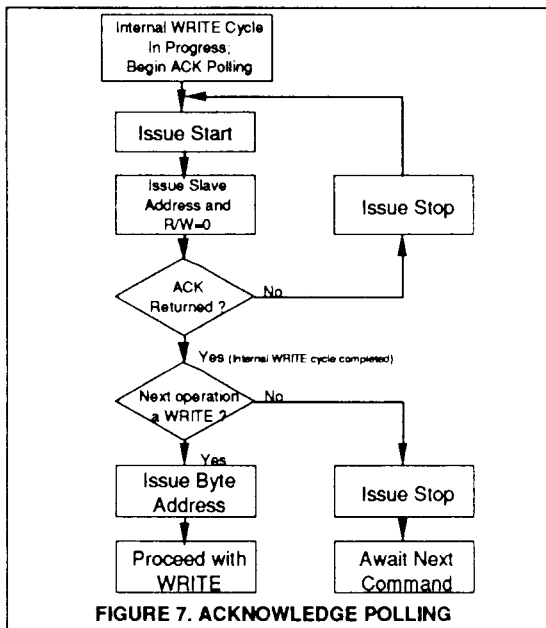
FIGURE 6. PAGE WRITE MODE

Preliminary

Acknowledge Polling

When the XL24C02 is performing an internal WRITE operation, it will not recognize a START condition. Since the device will only return an acknowledge after it accepts the START, the part can be continuously queried until an acknowledge is issued, indicating that the internal WRITE cycle is complete.

To poll the device, give it a START condition, followed by a slave address for a WRITE operation. Refer to Figure 7 below.



READ OPERATIONS

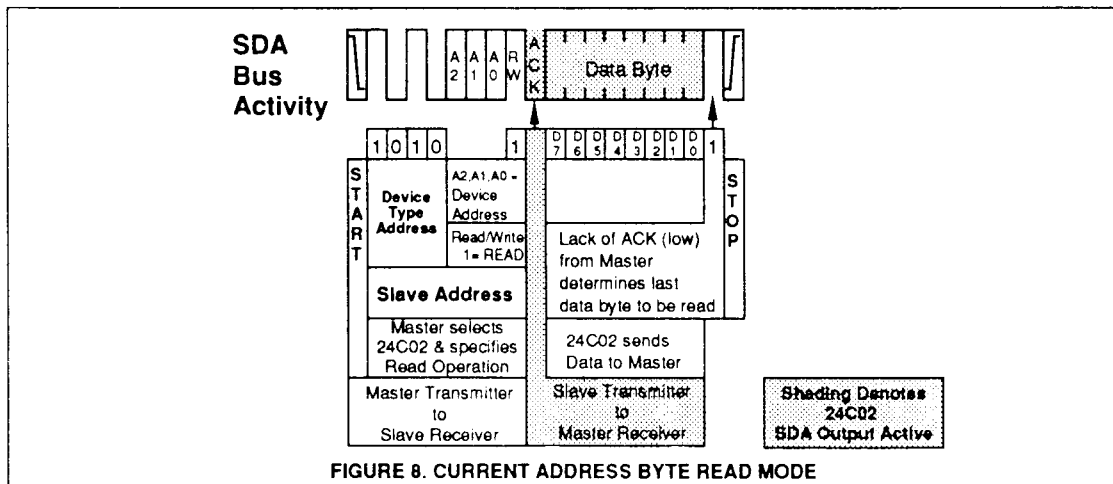
READ operations are initiated in the same manner as WRITE operations, except that the R/W bit of the slave address byte is set to "1." There are four different READ operation options:

1. Current Address Byte READ
2. Random Address Byte READ
3. Current Address Sequential READ
4. Random Address Sequential READ

Current Address Byte READ

The XL24C02 contains an internal address counter which maintains the address of the last word accessed, incremented by one. If the last address accessed (either a READ or a WRITE) was to address n , the next READ operation would access data from address $n+1$, and update the current address pointer. When the XL24C02 receives the slave address field with the R/W bit set to "1," it issues an acknowledge and transmits the 8-bit word stored at address $n+1$.

If the current address READ operation only accesses a single byte of data, the master does not acknowledge the transfer, but does generate a STOP condition. At this point, the XL24C02 discontinues transmission. See Figure 8 below for the address, acknowledge, and data transfer sequence.



READ OPERATIONS (continued)

Random Address Byte READ

Random address READ operations allow the master to access any memory location in a random fashion. This operation involves a two-step process. First, the master issues a WRITE command which includes the START condition and the slave address field (with the R/W bit set to "0"), followed by the address of the word it is to READ. This procedure sets the internal address counter of the XL24C02 to the desired address.

After the word address acknowledge is received by the master, the master immediately reissues a START condition followed by another slave address field with the R/W bit set to "1." The XL24C02 will respond with an acknowledge and transmit the eight data bits stored at the addressed location. At this point, the master does not acknowledge the transmission, but does generate the STOP condition. The XL24C02 discontinues transmission and reverts to its standby power mode. See Figure 9 below for the address, acknowledge, and data transfer sequence.

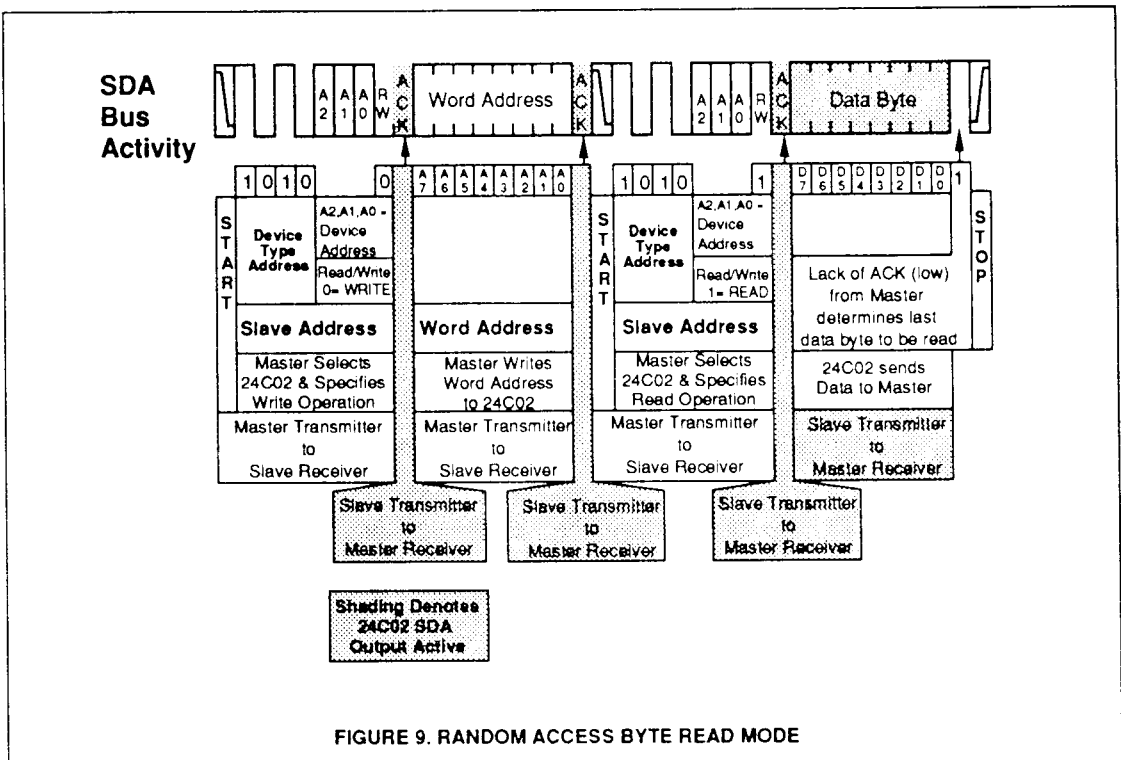


FIGURE 9. RANDOM ACCESS BYTE READ MODE

Preliminary

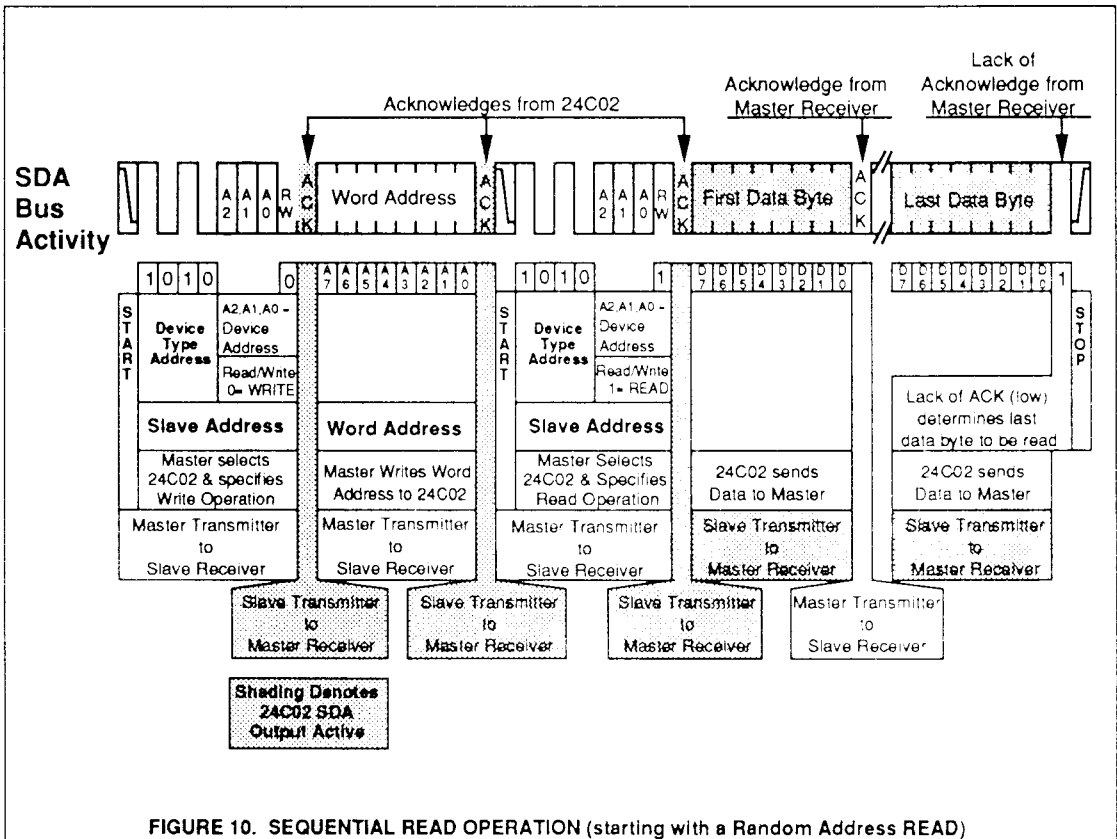
READ OPERATIONS (continued)

Sequential READ

Sequential READs can be initiated as either a current address READ or random access READ. The first word is transmitted as with the other byte read modes; however, the master now responds with an ACKnowledge, indicating that it requires additional data from the XL24C02. The XL24C02 continues to output data for each ACKnowledge received. The sequential READ operation is terminated by the master, by not responding with an ACKnowledge, and by issuing a STOP condition.

The data output is sequential, with the data from address n followed by the data from address $n+1$. The address counter for READ operations increments automatically, allowing the entire memory contents to be serially read during one operation. At the end of the address space (address 255), the counter "rolls over" to address 0, and the XL24C02 continues to output data for each ACKnowledge received.

Refer to Figure 10 below for the address, ACKnowledge, and data transfer sequence. Figure 10 shows a sequential READ starting with a random address. A sequential READ may also begin with a current address READ.



ABSOLUTE MAXIMUM RATINGS

Temperature Under Bias:	-40°C to +85°C
Storage Temperature	-65°C to +125°C
Soldering Temperature (less than 10 seconds)	300°C
Supply Voltage	0 to 6.5V
Voltage on Any Pin	-0.5V to $V_{CC}+0.5V$
ESD Voltage (JEDEC method)	2,000V
Output Current	+5mA

NOTE: These are STRESS ratings only. Appropriate conditions for operating these devices are given elsewhere in this specification. Stresses beyond those listed here may permanently damage the part. Prolonged exposure to maximum ratings may affect device reliability.

DC ELECTRICAL CHARACTERISTICS

$T_A = 0^\circ\text{C}$ to $+70^\circ\text{C}$ for the XLS24C02 or -40°C to $+85^\circ\text{C}$ for the XLE24C02, $V_{CC} = 5V \pm 10\%$

Symbol	Parameter	Conditions	Min	Typ	Max	Units
I _{CC}	Supply Current (CMOS)	SCL = CMOS Levels @ 100KHz SDA = Open All other inputs=GND or V _{CC}			2	mA
I _{SA}	Standby Current (CMOS)	SCL = SDA = V _{CC} All other inputs = GND or V _{CC}			2	μA
I _I	Input Leakage	V _{IN} = 0 to V _{CC}			10	μA
I _O	Output Leakage	V _{OUT} = 0 to V _{CC}			10	μA
V _{IL}	Input Low Voltage	A0-A2, SCL, SDA			0.3 x V _{CC}	V
V _{IH}	Input High Voltage	A0-A2, SCL, SDA	0.7 x V _{CC}			V
V _{OL}	Output Low Voltage	I _{OL} = 3mA			0.4	V

CAPACITANCE

$T_A = 25^\circ\text{C}$, $f = 100\text{KHz}$

Symbol	Parameter	Max	Units
C _{IN}	Input Capacitance	5	pF
C _{OUT}	Output Capacitance	8	pF

Preliminary

AC ELECTRICAL CHARACTERISTICS

$T_A = 0^\circ\text{C}$ to $+70^\circ\text{C}$ for the XLS24C02 or -40°C to $+85^\circ\text{C}$ for the XLE24C02, $V_{CC} = 5V \pm 10\%$

Symbol	Parameter	Conditions	Min	Max	Units
f_{SCL}	SCL Clock Frequency		0	100	KHz
t_{LOW}	Clock Low Period		4.7		μs
t_{HIGH}	Clock High Period		4.0		μs
t_{BUF}	Bus Free Time	Before New Transmission	4.7		μs
$t_{SU:STA}$	Start Condition Setup Time		4.7		μs
$t_{HD:STA}$	Start Condition Hold Time		4.0		μs
$t_{SU:STO}$	Stop Condition Setup Time		4.7		μs
t_{AA}	Clock to Output	SCL Low to SDA Data Out Valid	0.3	3.5	μs
t_{DH}	Data Out Hold Time	SCL Low to SDA Data Out Change	0.3		μs
t_R	SCL and SDA Rise Time			1000	ns
t_F	SCL and SDA Fall Time			300	ns
$t_{SU:DAT}$	Data In Setup Time		250		ns
$t_{HD:DAT}$	Data In Hold Time		0		ns
T_I	Noise Spike Width	Time Constant @ SCL, SDA Inputs		100	ns
t_{WR}	Write Cycle Time			10	ms

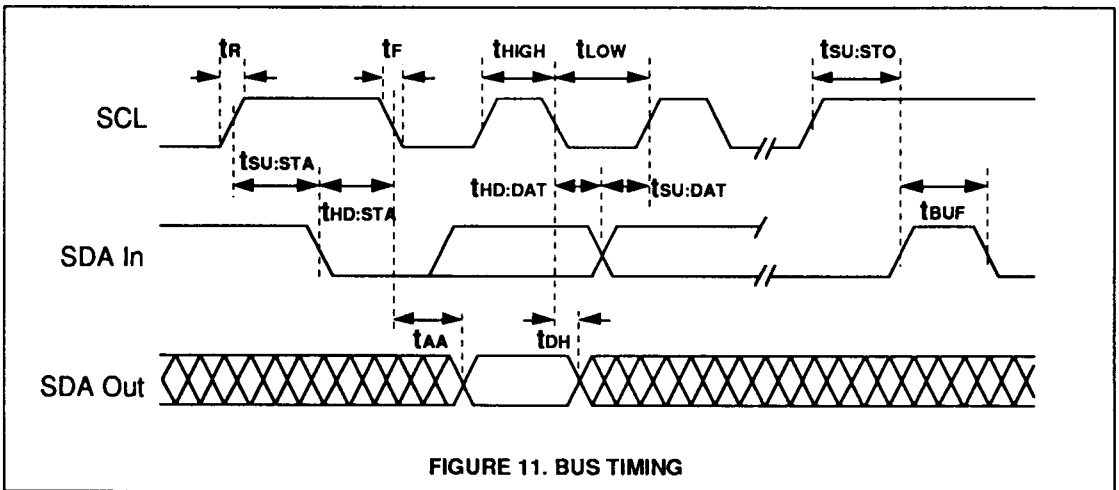
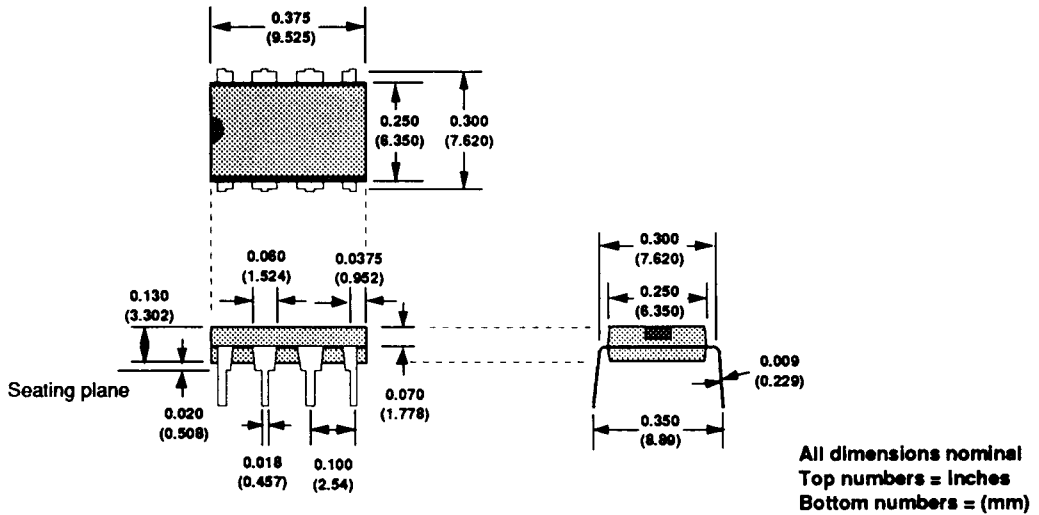


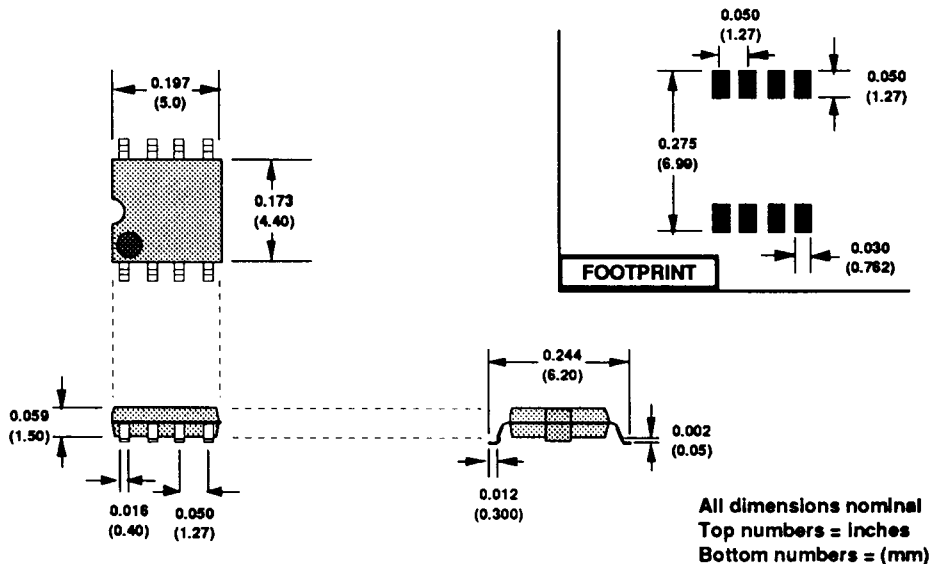
FIGURE 11. BUS TIMING

PACKAGE DIAGRAMS

Plastic Dual-in-line (Type "P") Package (PDIP)



EIAJ Small Outline (Type "JR") Package



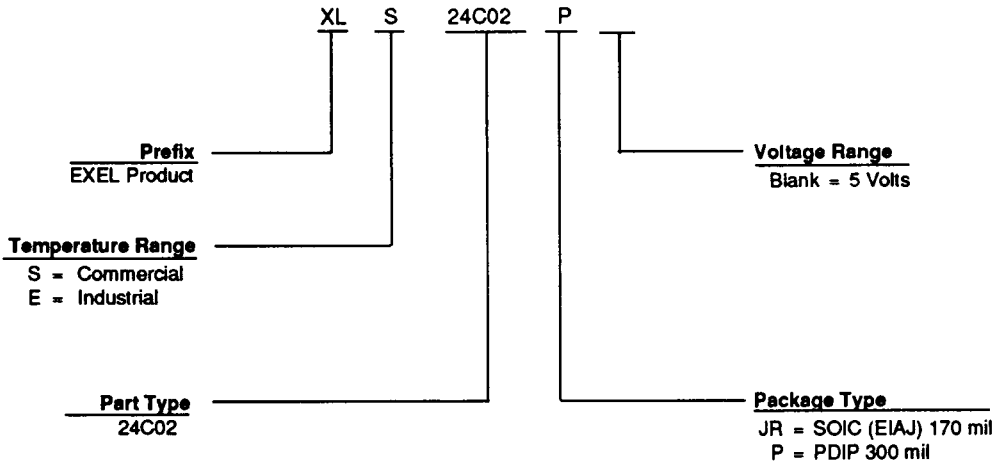
Preliminary

ORDERING INFORMATION
Standard Configurations

Prefix	Temperature Range ¹	Part Type	Package Type	Voltage
XL	S, E	24C02	JR, P	5 Volts

¹Contact EXEL for your special temperature and packaging requirements.

Part Numbers:



NOTICE

EXEL Microelectronics reserves the right to make changes to the products contained in this publication in order to improve design, performance or reliability. EXEL Microelectronics assumes no responsibility for the use of any circuits described herein, conveys no license under any patent or other right, and makes no representation that the circuits are free of patent infringement. Charts and schedules contained herein reflect representative operating parameters, and may vary depending upon a user's specific application. While the information in this publication has been carefully checked, EXEL Microelectronics shall not be liable for any damages arising as a result of any error or omission.

EXEL Microelectronics does not recommend the use of any of its products in life support applications where the failure or malfunction of the product can reasonably be expected to cause failure of the life support system or to significantly affect its safety or effectiveness. Products are not authorized for use in such applications unless EXEL Microelectronics receives written assurances, to its satisfaction, that: (a) the risk of injury or damage has been minimized; (b) the user assumes all such risks; and (c) potential liability of EXEL Microelectronics is adequately protected under the circumstances.

© Copyright 1992 EXEL Microelectronics.
Reproduction in whole or in part, without the prior written consent of EXEL Microelectronics is prohibited.

¹°C™ is a trademark of the Philips Corporation.

3/31/93