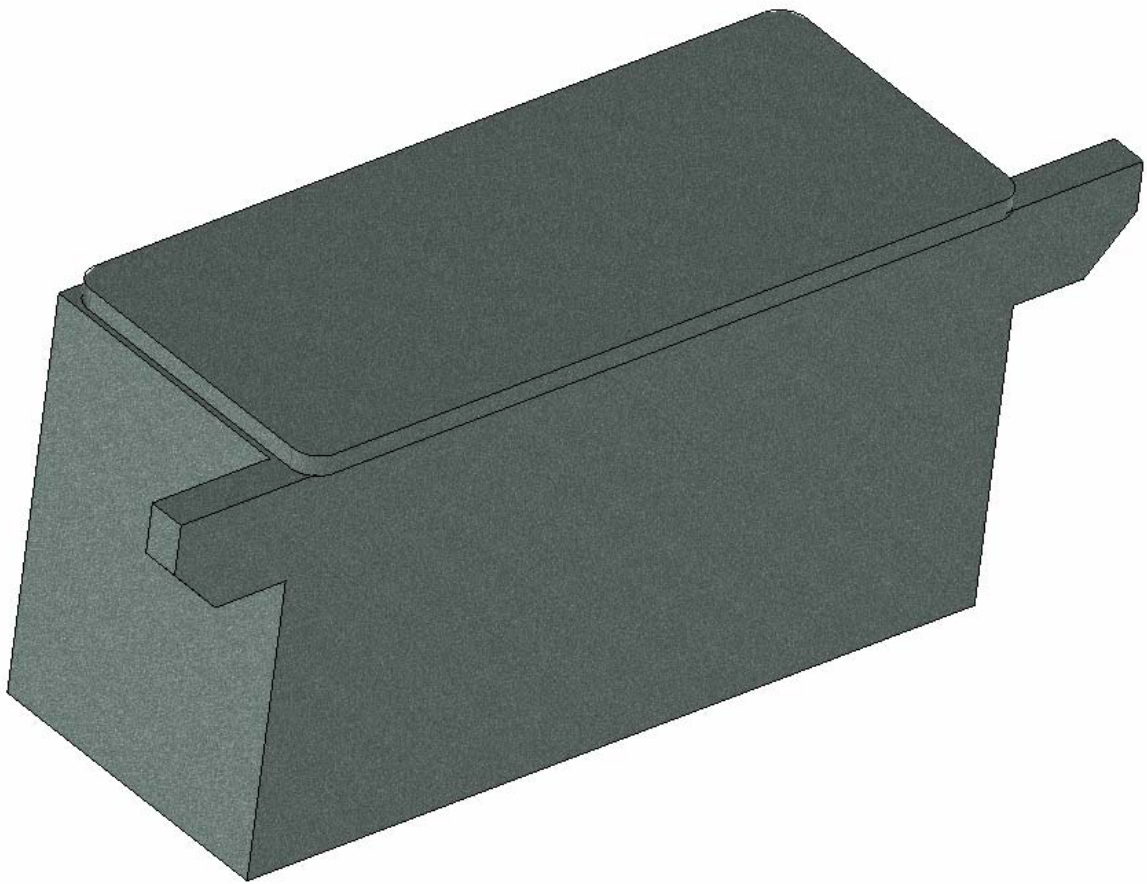
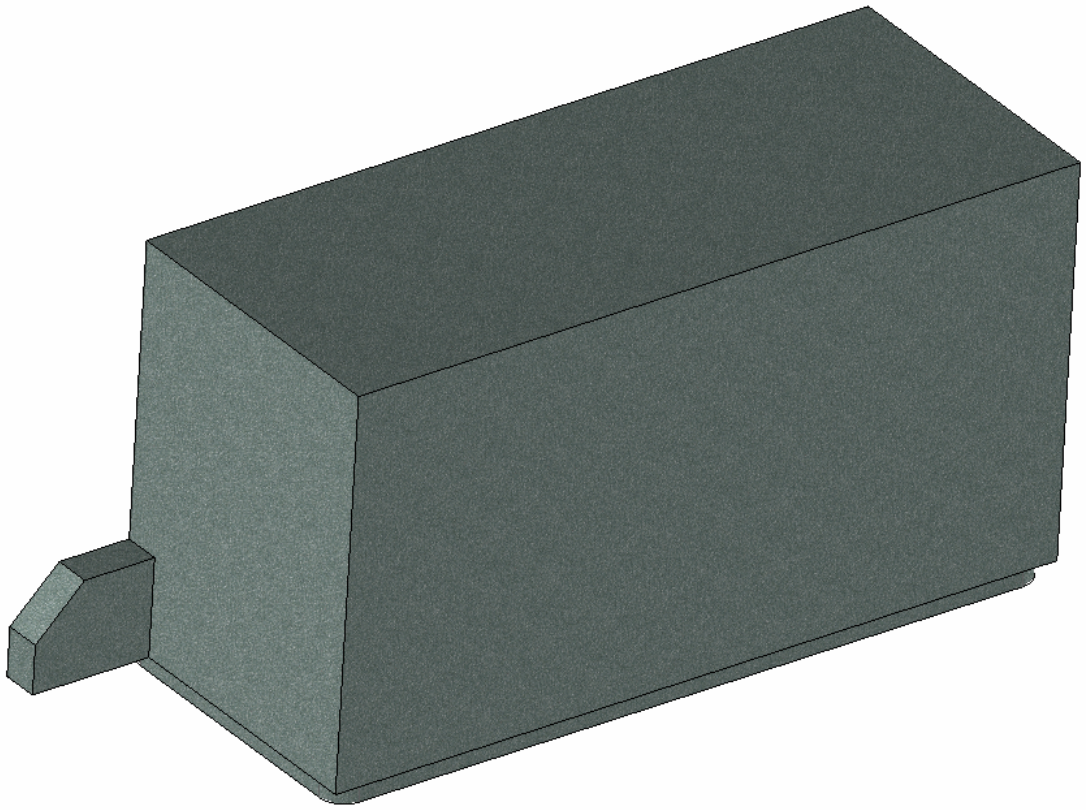
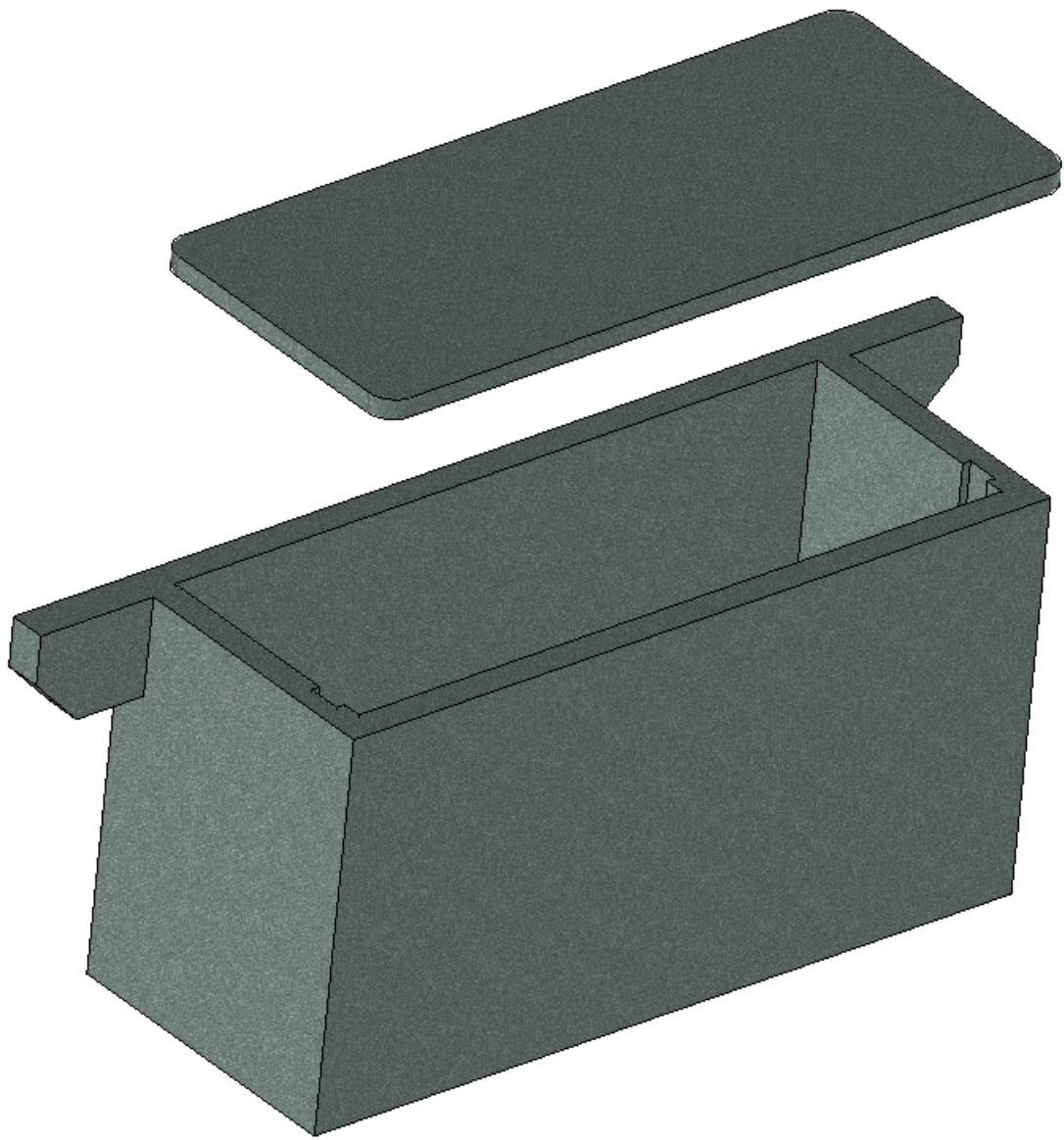
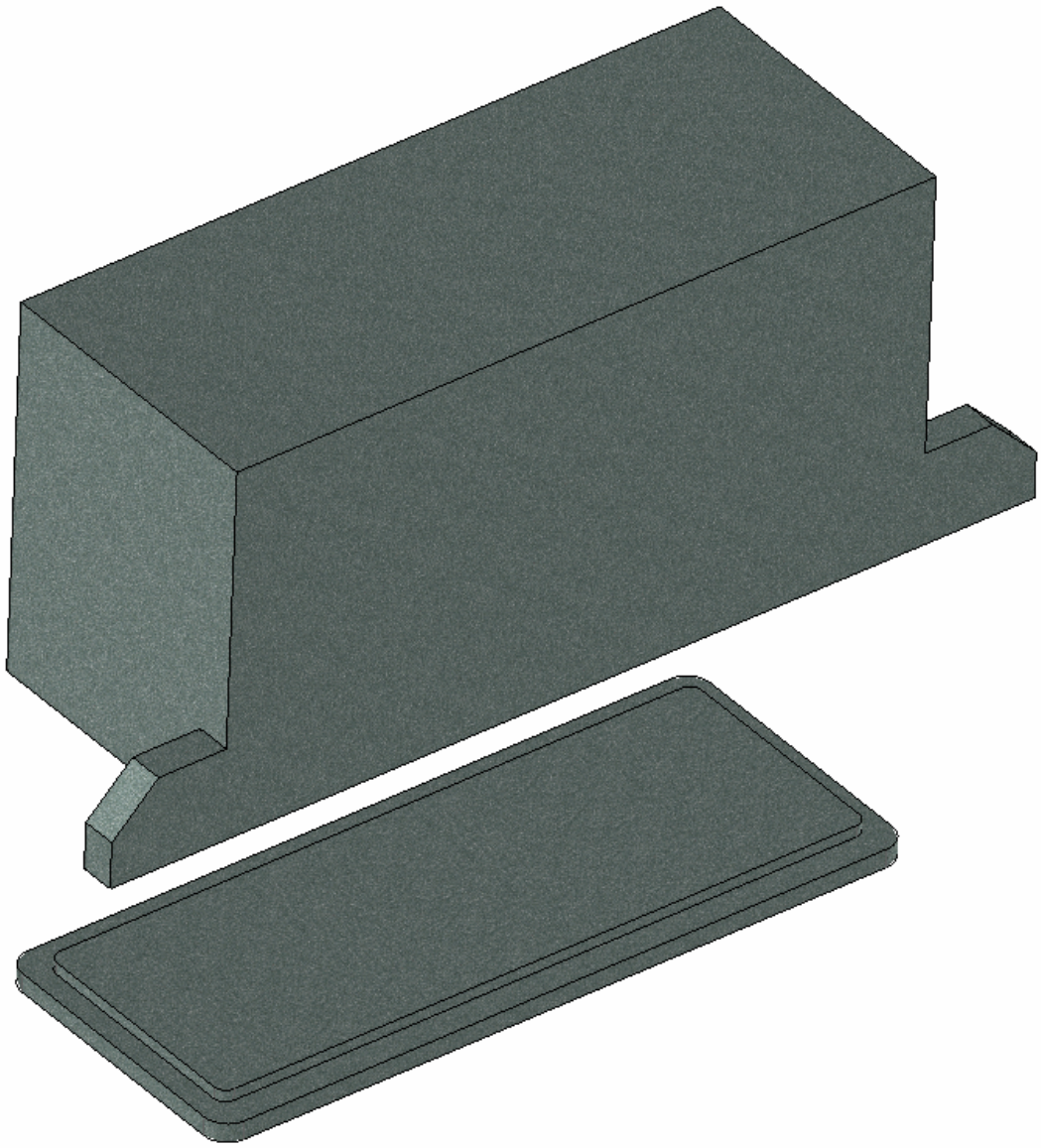
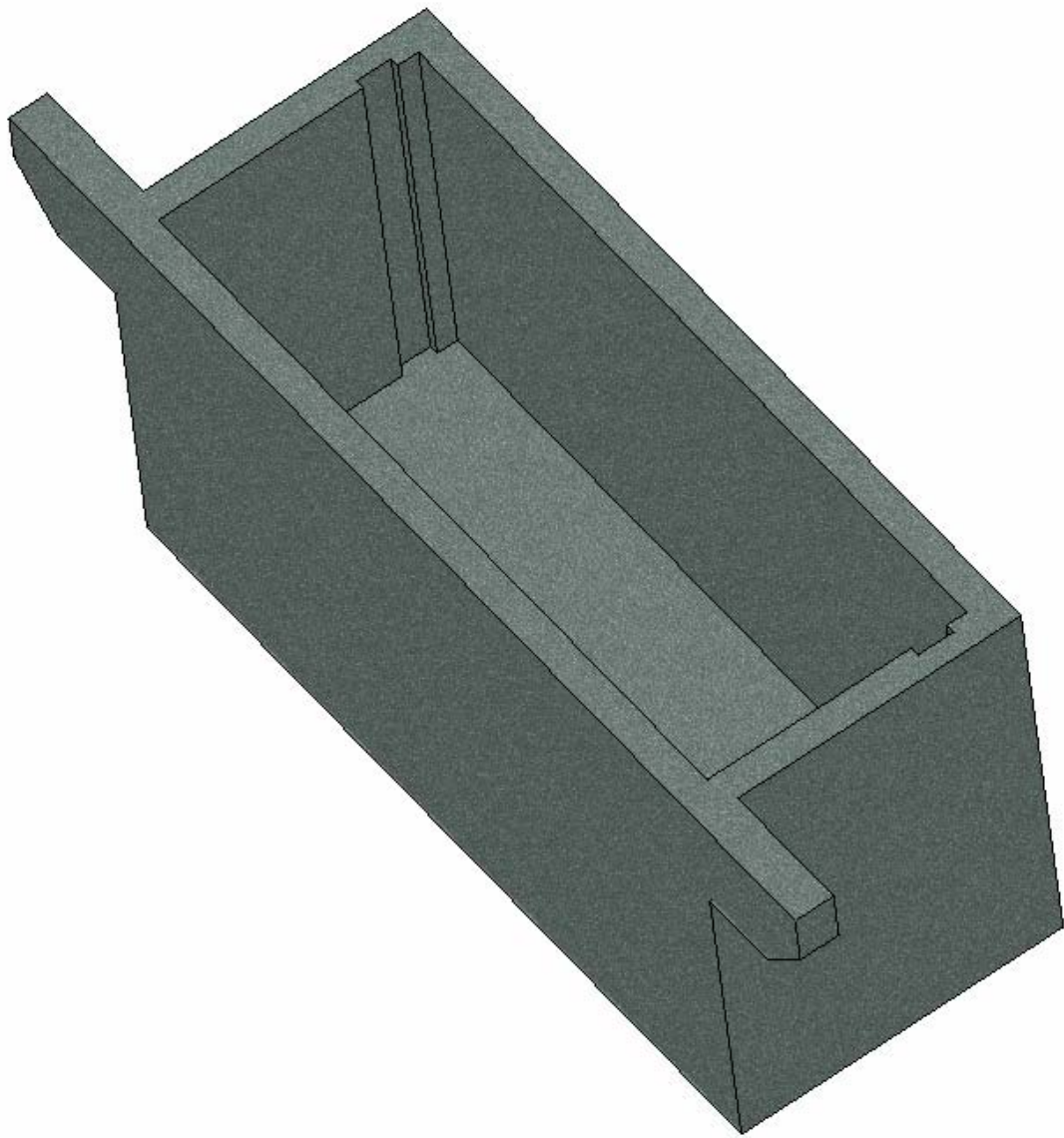


| | | | |
|----------------|------------|--|----------------|
| Model produktu | Z-9 | | |
| Format: | A4 | Materiał: | |
| Skala: | 1:1 | Tolerancja: | +/- 0.1 |
| | | KRADEX ul. Nadmiejska 32 04-205 Warszawa Tel: +48 022 613-08-88, Fax: 812-10-68 www.kradex.com.pl | |

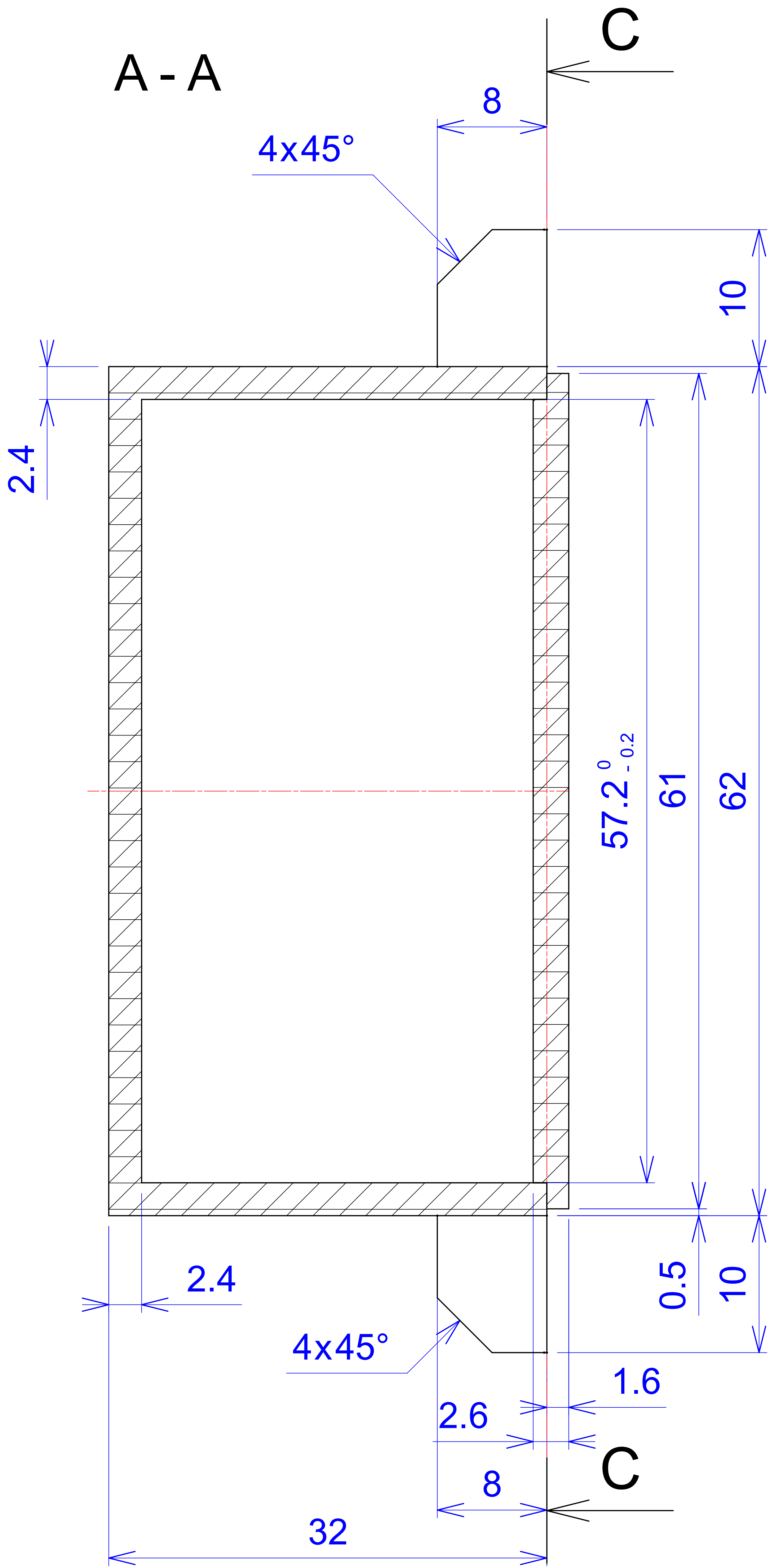


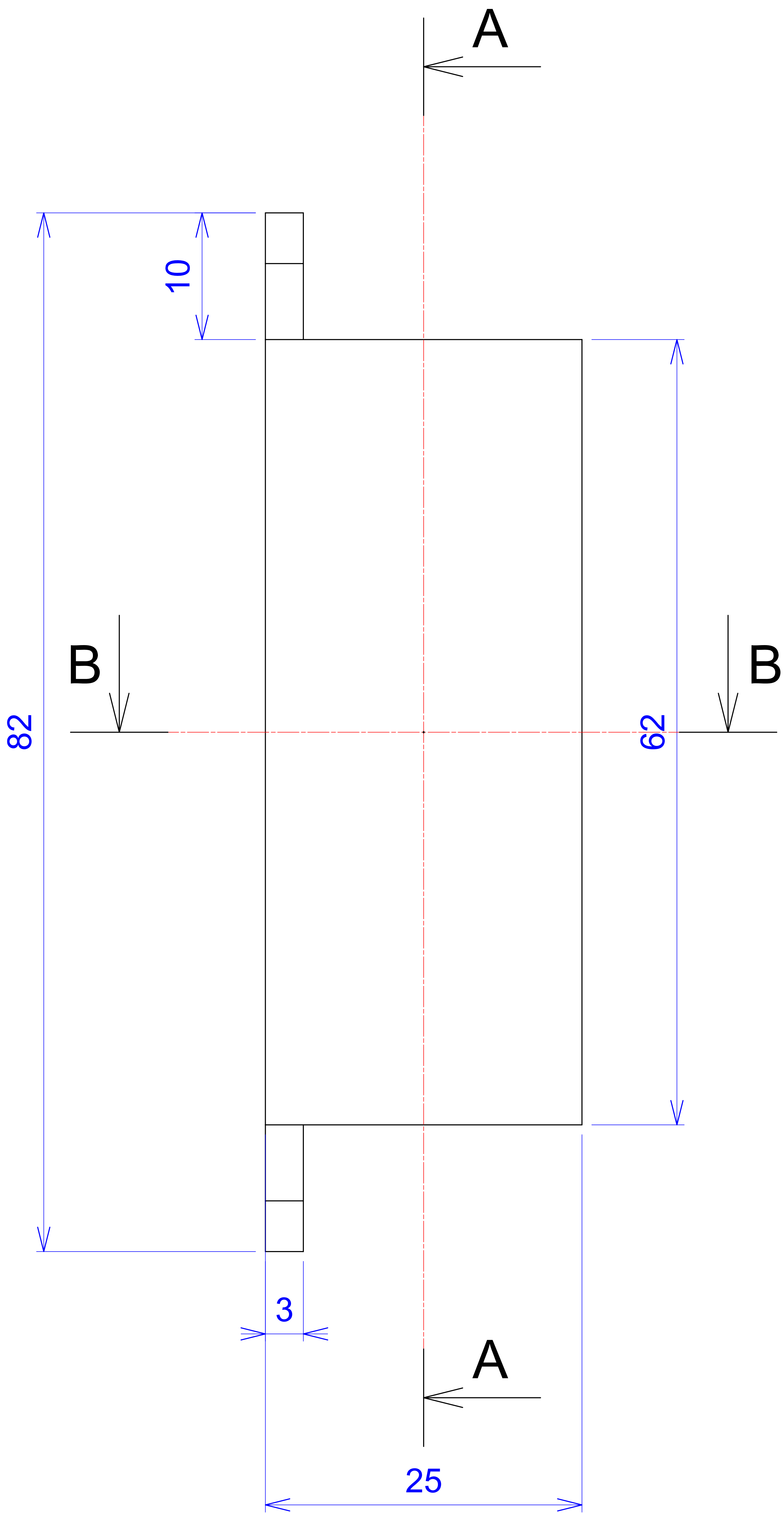


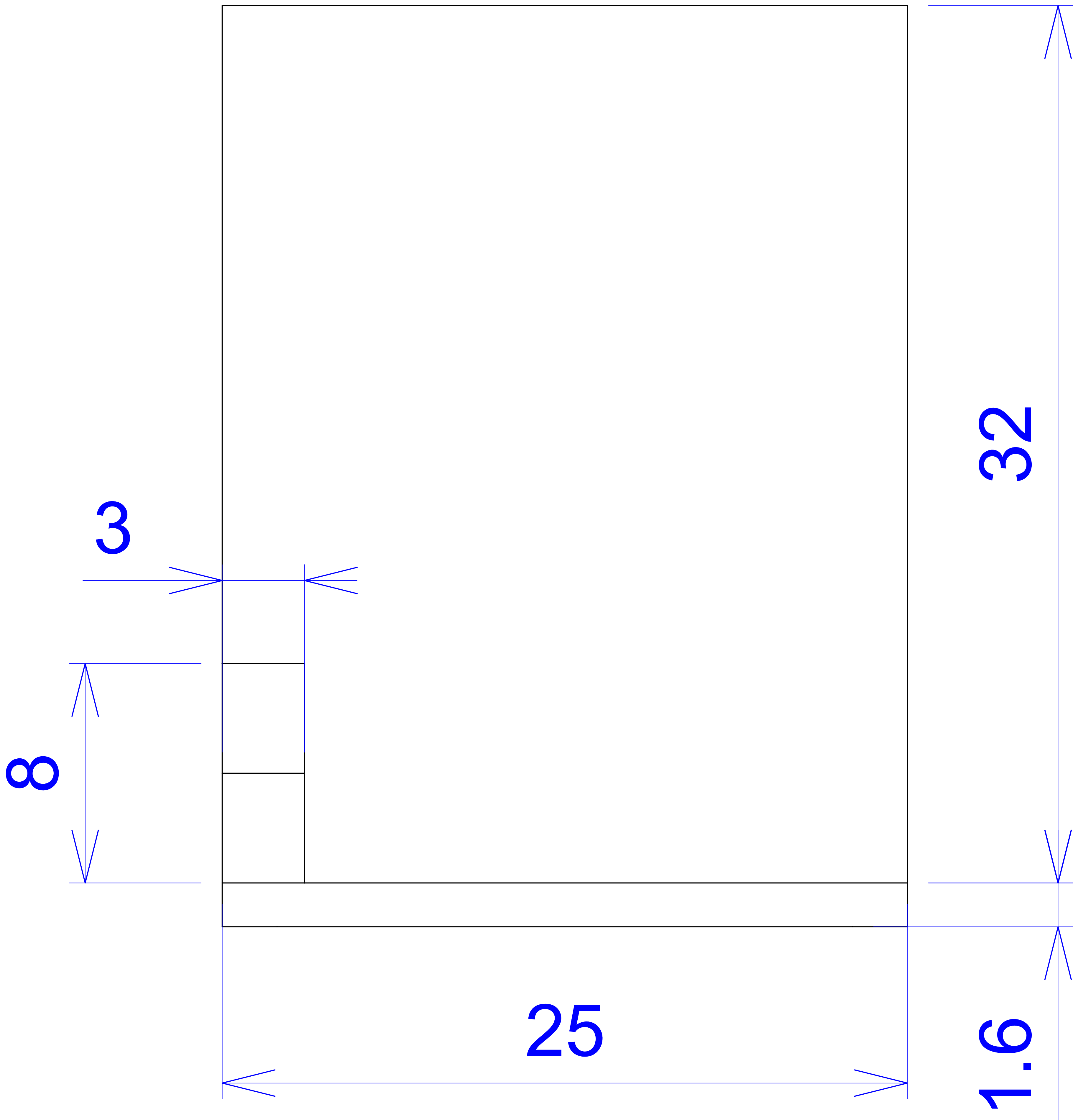




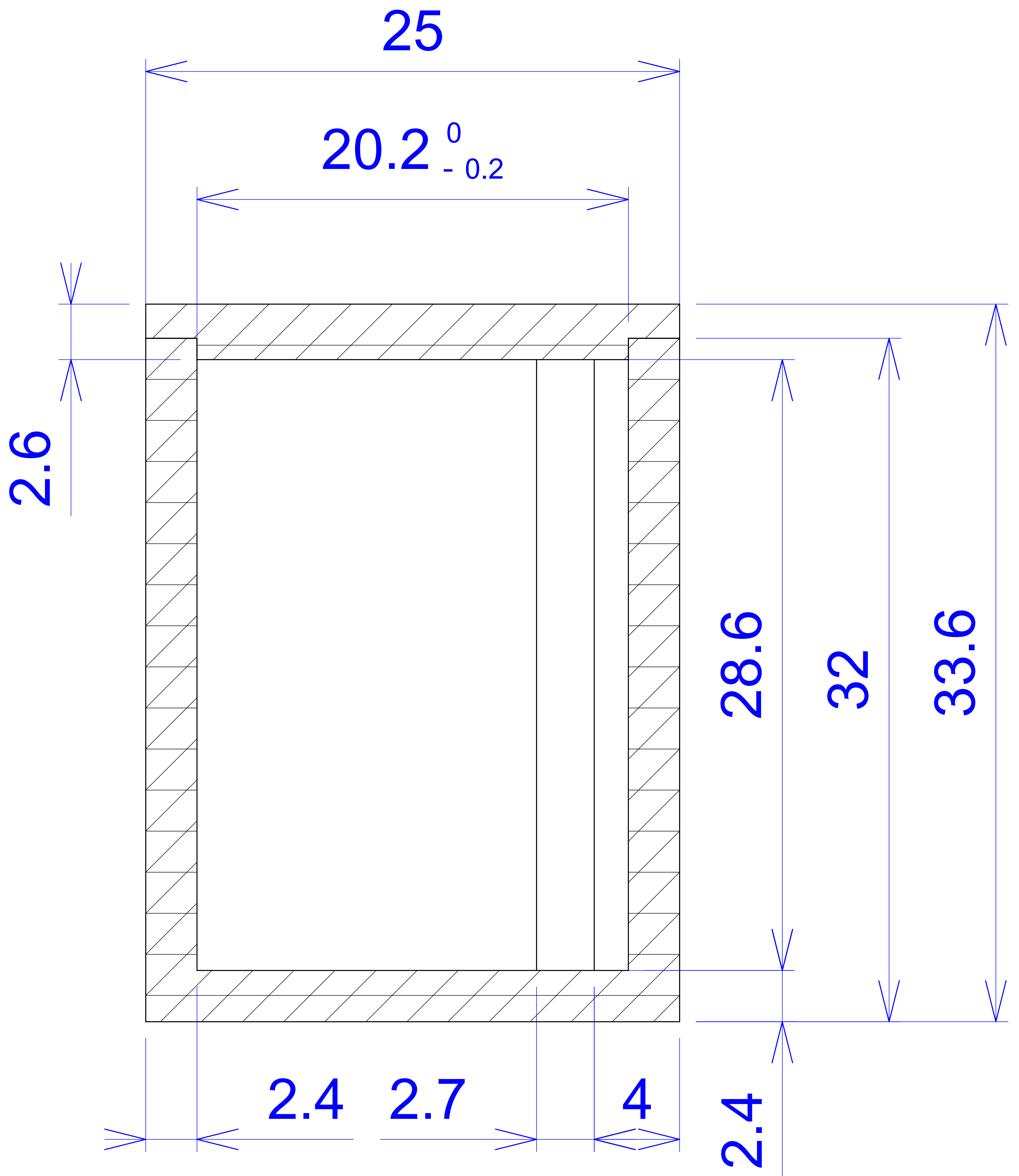


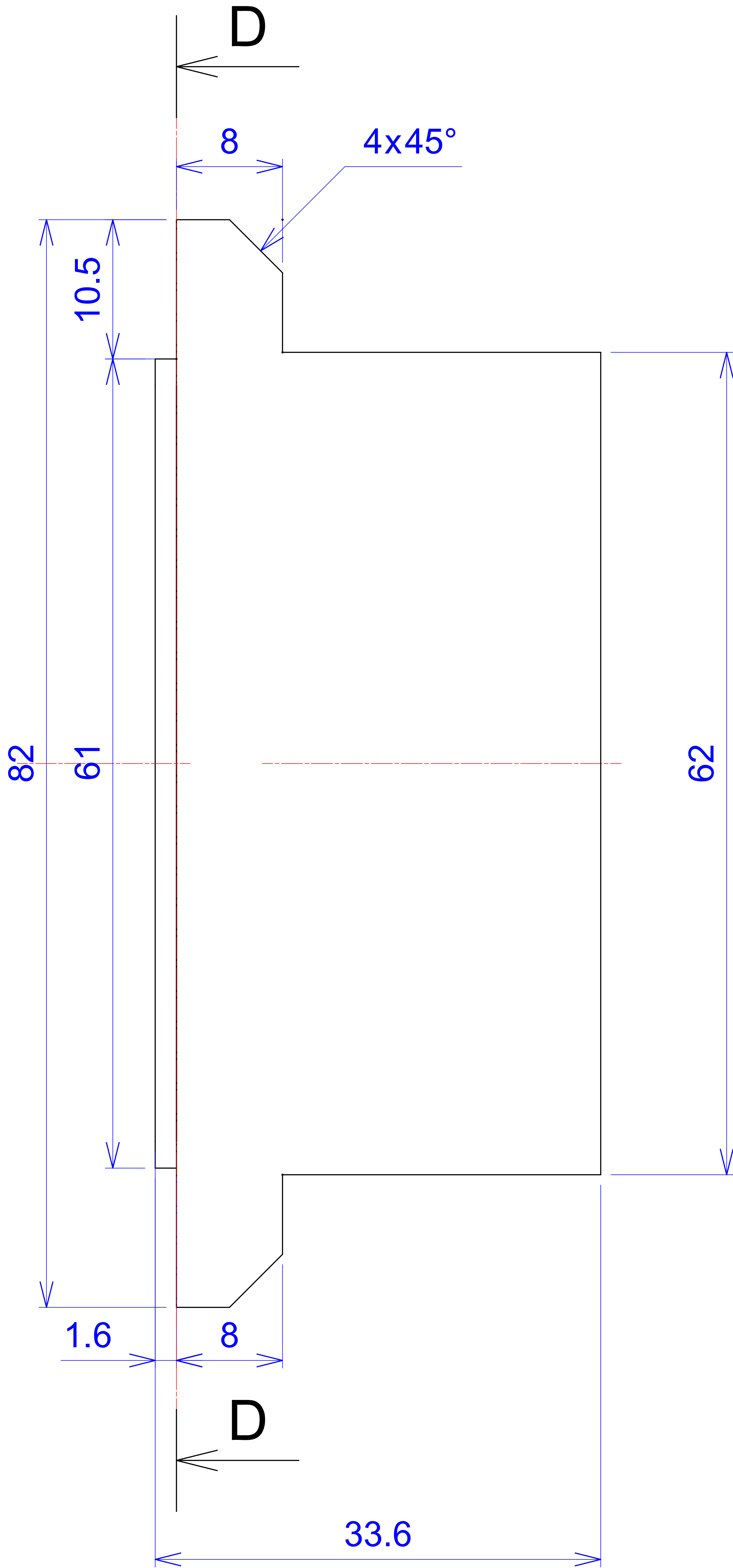


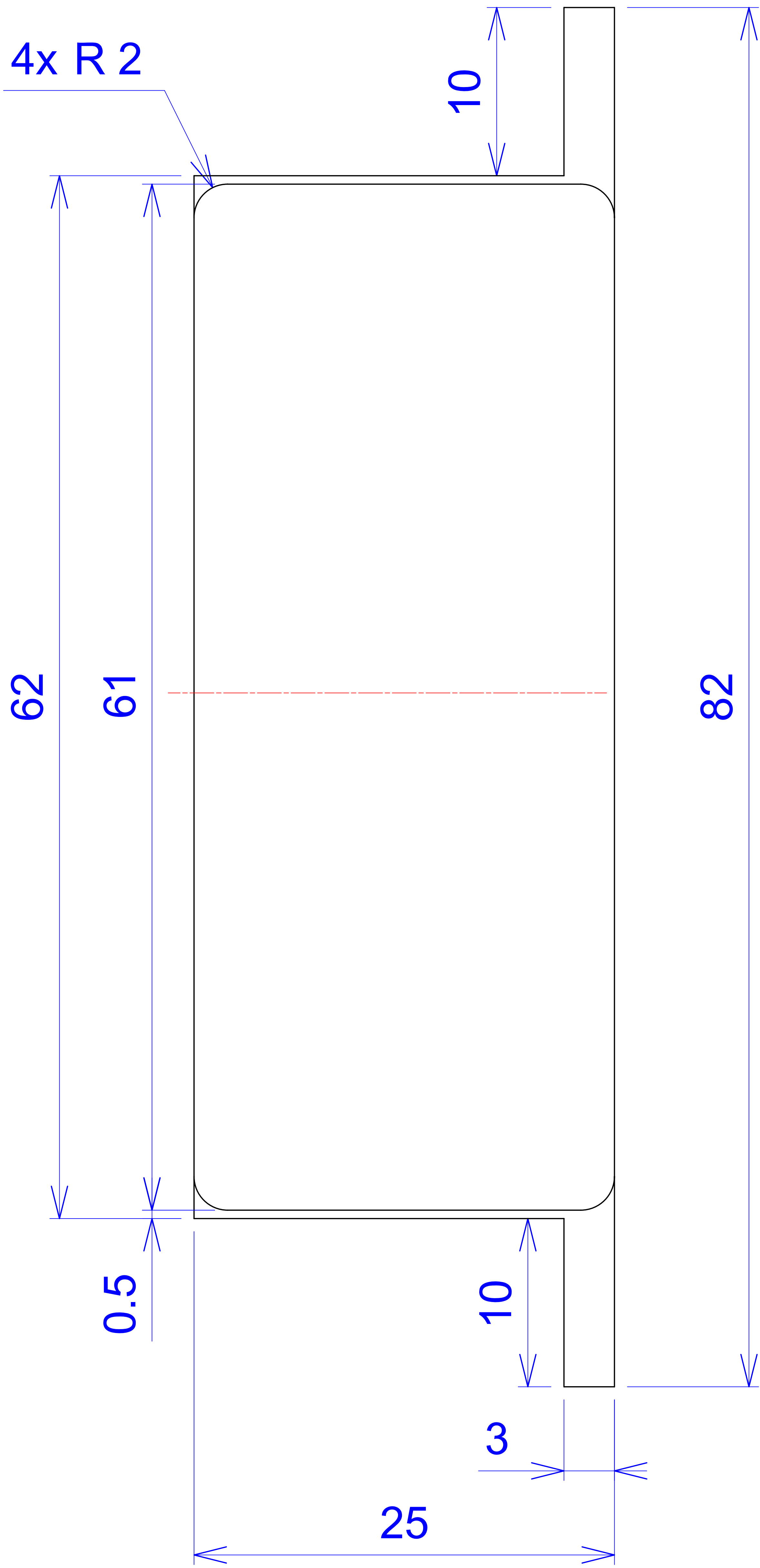




B - B







4x R 2

4x R 1

D - D

1.9

$57.2^{0}_{-0.2}$

61

$20.2^{0}_{-0.2}$

2.4

25

