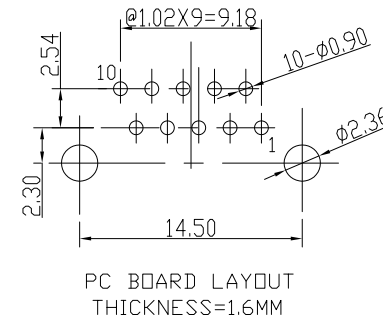
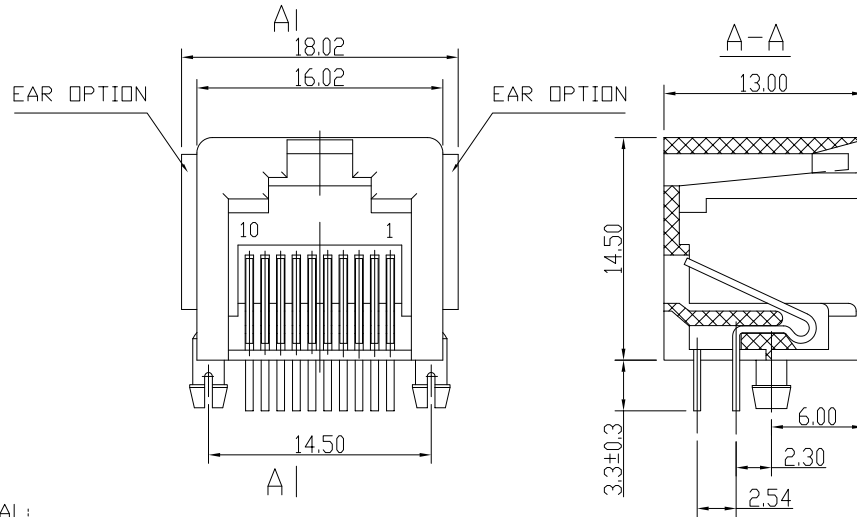
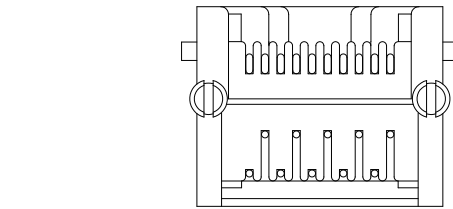


REV.	ECN NO.	DATE
01-03	ADD PART NUMBER	09/04/28
04	ADD PART NUMBER	09/06/27
05	ADD PART NUMBER	09/07/18



NOTES:

ELECTRICAL:

- 1. VOLTAGE RATING : 125 VAC RMS.
- 2. CURRENT RATING : 1.5 AMP.
- 3. CONTACT RESISTANCE : 35 MILLIOHMS MAX.
- 4. INSULATION RESISTANCE : 1000 MEGOHMS MIN @ 500 VDC.
- 5. DIELECTRIC STRENGTH : 1000 VAC RMS 60Hz, 1MIN.

MECHANICAL:

- 1. HOUSING&INSERT& MATERIAL : PBTUL94V-0.
- 2. CONTACT MATERIAL : PHOSPHOR BRONZE $\phi 0.46$ mm.
- 3. PLATING : GOLD PLATING OVER NICKEL.
- 4. MATING/UNMATING FORCE : 22N / 2.27kg Max.
- 5. RETENTION STRENGTH : 57.83N Min.
- 6. OPERATING LIFE : 750 CYCLES MIN.

ENVIRONMENTAL:

- 1. STORAGE : -10°C TO +40°C RELATIVE HUMIDITY<80%.
- 2. OPERATION: -40°C TO +85°C.

MATES WITH MODULAR PLUG CONFORMING TO FCC PART 68, SUBPART F.

ROHS PART NUMBER:

ROHS PART NUMBER	DESCRIPTION	CONTACT PLATING GOLD	LOGO	MATERIAL COLOR
B551N-11GF-M009	RJ45 5521 10P10C WITH EAR JACK	G/F	NO LOGO	PBT BLACK
B551N-11GF-M007	RJ45 5521 10P10C WITH EAR JACK	G/F	NO LOGO	PBT GRAY
B551N-1806-M009	RJ45 5521 10P8C WITH EAR JACK	6u*	NO LOGO	PBT GRAY
B551N-1106-M003	RJ45 5521 10P10C W/O EAR JACK	6u*	NO LOGO	PBT BLACK
B551N-11GF-M008	RJ45 5521 10P10C W/O EAR JACK	G/F	NO LOGO	PBT GRAY
B551N-1103-M008	RJ45 5521 10P10C W/O EAR JACK	3u*	NO LOGO	PBT GRAY
B551N-1107-M001	RJ45 5521 10P10C WITH EAR JACK	2u*	NO LOGO	PBT GRAY
B551N-1115-M007	RJ45 5521 10P10C WITH EAR JACK	15u*	NO LOGO	PBT BLACK

RoHS Compliant

CZT® 意华通讯接插件有限公司
YIHUA COMMUNICATED CONNECTOR CO.,LTD.

TOLERANCES
.0 ± 0.25
.00 ± 0.20
.000 ± 0.10

MATERIAL:	SEE_NOTE	DESIGNED:	XINGAO XU 09/07/18	NAME:	RJ45 5521 10P WITH EAR JACK
FINISH:	SEE_NOTE	CHECKED:		DWG NO:	E55QWY-1009-24
	SHEET 1 OF 1	APPROVED:		PART NO:	SEE_NOTE



SCALE
1:1

UNIT
mm

CUSTOMER: N/A

MODEL NO: N/A

ANGLES ± 0.5

REV

05