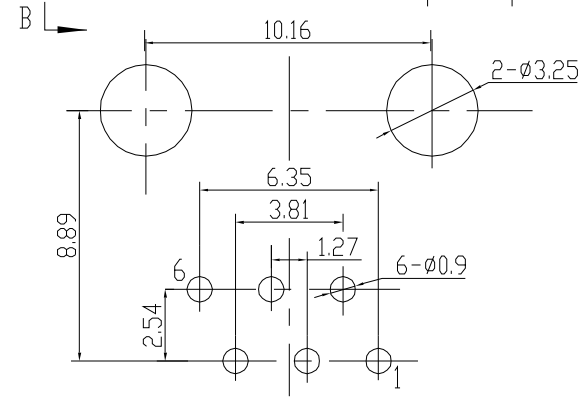
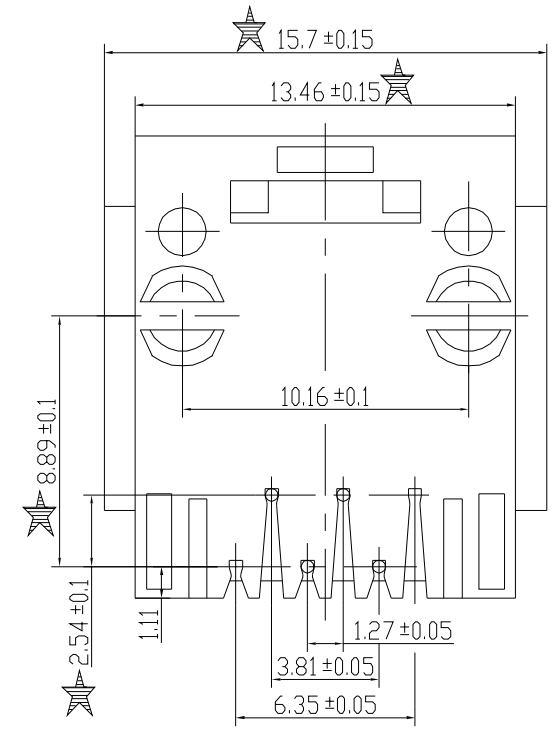
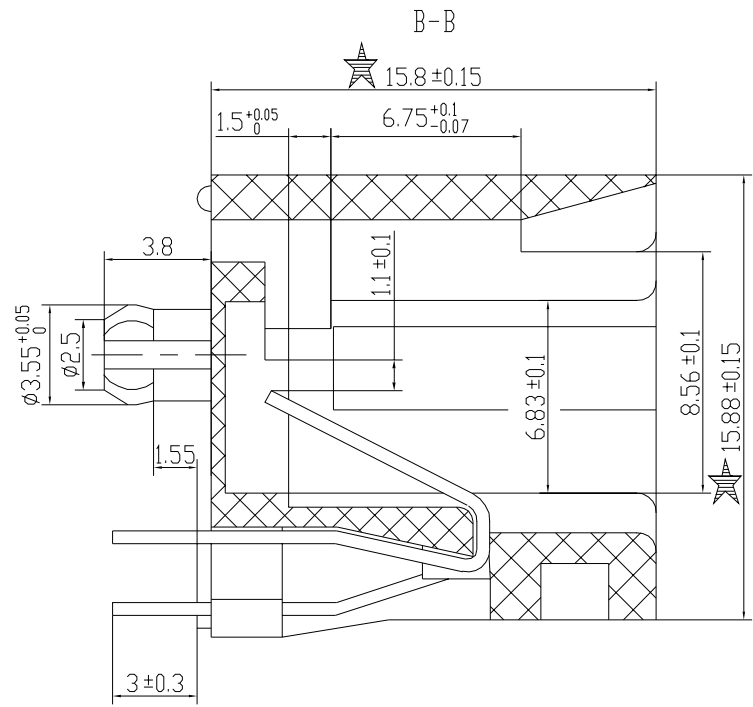
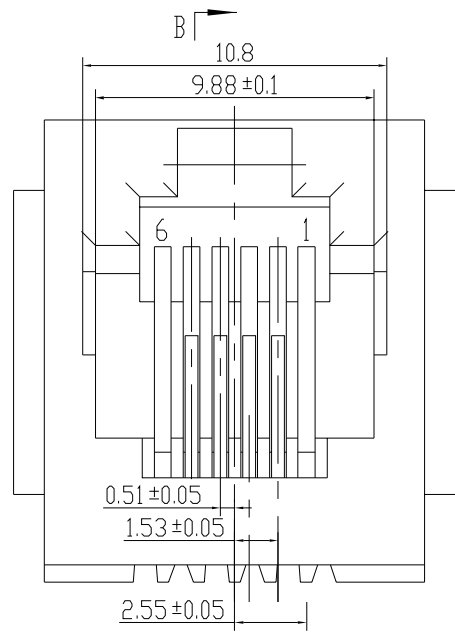


YH-52-05

REV.	ECN NO.	DATE



- NOTES:
- ELECTRICAL:
 - VOLTAGE RATING: 125 VAC RMS;
 - CURRENT RATING: 1.5 AMP;
 - CONTACT RESISTANCE: 20 MILLIOHMS Max;
 - INSULATION RESISTANCE: 1000 MEGOHMS Min @500 VDC;
 - DIELECTRIC STRENGTH: 1000 VAC RMS 50 or 60Hz 1 Minute;
 - MECHANICAL:
 - HOUSING: PBT, UL94V-0, BLACK;
 - TERMINALS: DIA 0.46 PHOSPHOR BRONZE PLATED 3µ Au;
 - DURABILITY: 750 CYCLES Min.
 - ★ Critical Dimension.

RoHS Compliant

PCB LAYOUT

意华通讯连接器有限公司 YIHUA COMMUNICATED CONNECTOR CO.,LTD.	TOLERANCES 0~15 ±0.15, 15~30 ±0.2, 30~±0.25 ANGLE ±1°		MATERIAL: SEE NOTE	Designed:	NAME: 5222 6P4C(No grid)	
	SCALE UNIT CUSTOMER: 4:1 mm MODEL NO.:		FINISH: SEE NOTE	Checked:	DWG NO.: Q07081305	REV
		SHEET 1 OF 1	Approved:	PART NO.: B522N-6403-M006	00	