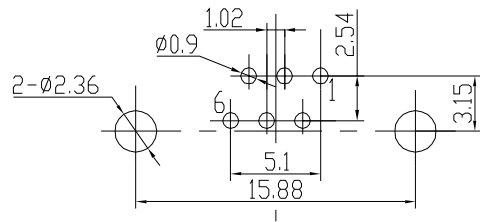
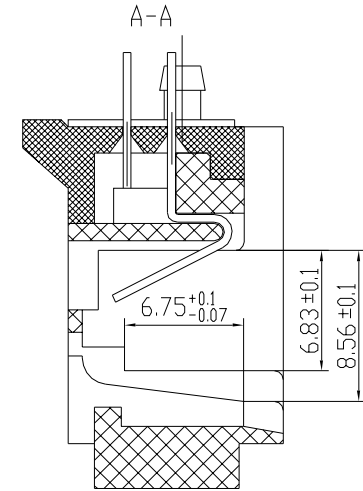
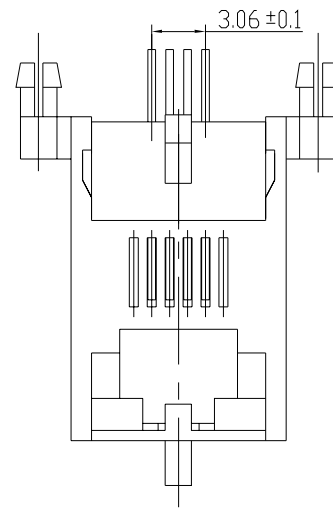
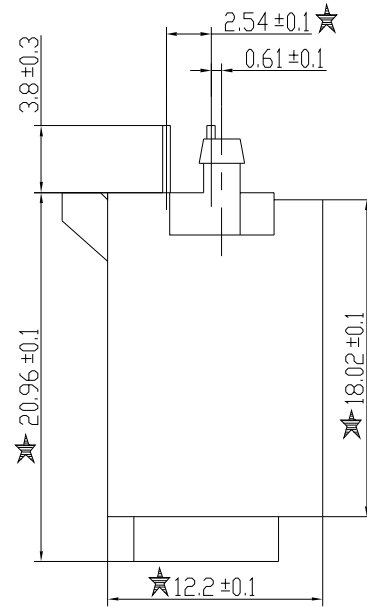
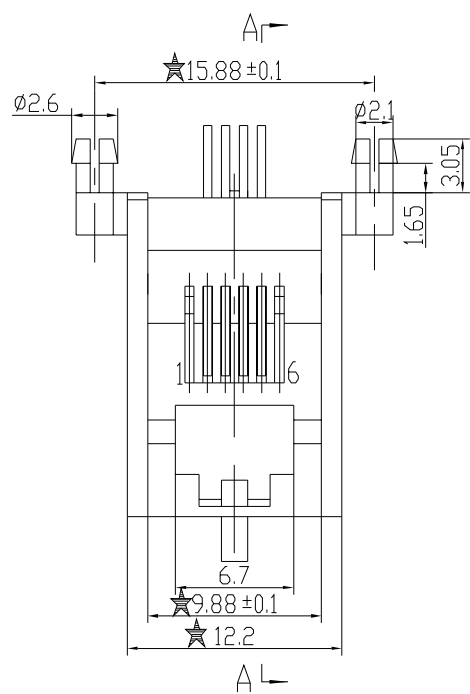


YH-51-02

REV.	ECN NO.	DATE



PCB LAYOUT

NOTES:

1. ELECTRICAL:
 - 1.1 VOLTAGE RATING: 125 VAC RMS;
 - 1.2 CURRENT RATING: 1.5 AMP;
 - 1.3 CONTACT RESISTANCE: 20 MILLIOHMS Max;
 - 1.4 INSULATION RESISTANCE: 1000 MEGOHMS Min @500 VDC;
 - 1.5 DIELECTRIC STRENGTH: 1000 VAC RMS 50 or 60Hz 1 Minute;
2. MECHANICAL:
 - 2.1 HOUSING: PBT, UL94V-0, BLACK;
 - 2.2 TERMINALS: DIA 0.46 PHOSPHOR BRONZE PLATED 3µ Au;
 - 2.3 DURABILITY: 750 CYCLES Min.
3. ★ Critical Dimension.

RoHS Compliant

CZT® 意华通讯连接器有限公司 YIHUA COMMUNICATED CONNECTOR CO.,LTD.		TOLERANCES 0~15 ±0.15, 15~30 ±0.2, 30~ ±0.25 ANGLE ±1°.		MATERIAL: SEE NOTE FINISH: SEE NOTE SHEET 1 OF 1		Designed: Checked: Approved:		NAME: 5121 6P4C(623PCBH) DWG NO.: Q07081101 PART NO.: B511N-6403-M004		REV 00
FIRST ANGLE PROJECTION	SCALE 4 SIZE 2.5:1	UNIT mm	CUSTOMER:	MODEL NO.:						