

ASK/OOK TRANSMITTER MODULE

RFM85

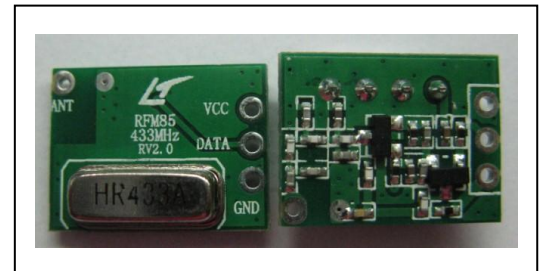
RFM85

General Introduction

RFM85 series is a low cost, high output power, low power consumption ASK/OOK transmitter module with operating at 315 and 433.92MHz frequency. It is your ideal choice for designing long distance wireless data transmission products. Compliance FCC and ETSI regulation.

Features:

- Long Distance Application
- Simple-to-use.
- SAW Resonator
- 315 and 433.92MHz
- Data Rate:300Hz-10KHz
- RF Output Power: 16dBm@5V
12dBm@3.3V
- Power Supply: 2.1V~5.5V
- Low Power Consumption

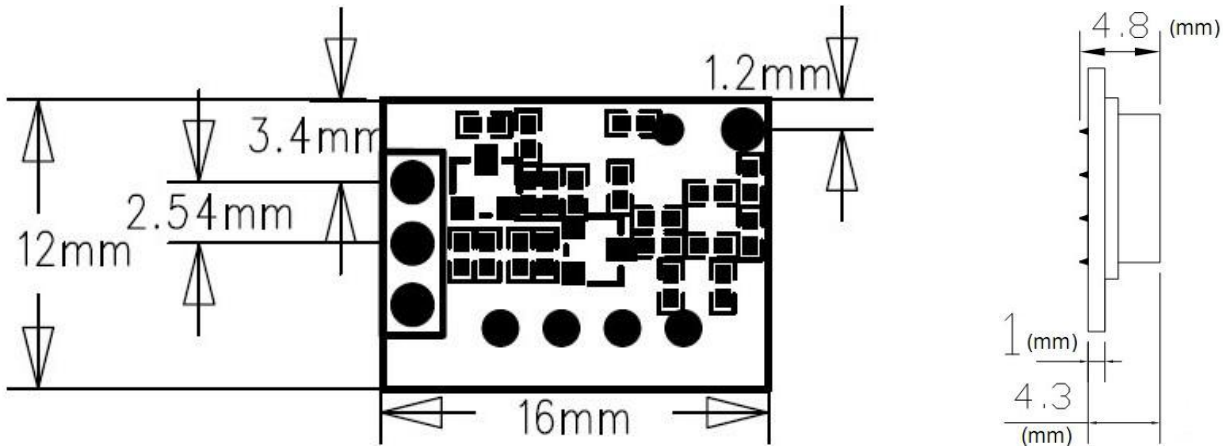


Typical Application:

- Remote control
- Remote sensor
- Wireless data collection
- Home security system
- Toys

Pin Definition:

Pin Number	Symbol	
1	VCC	
2	DATA	
3	GND	

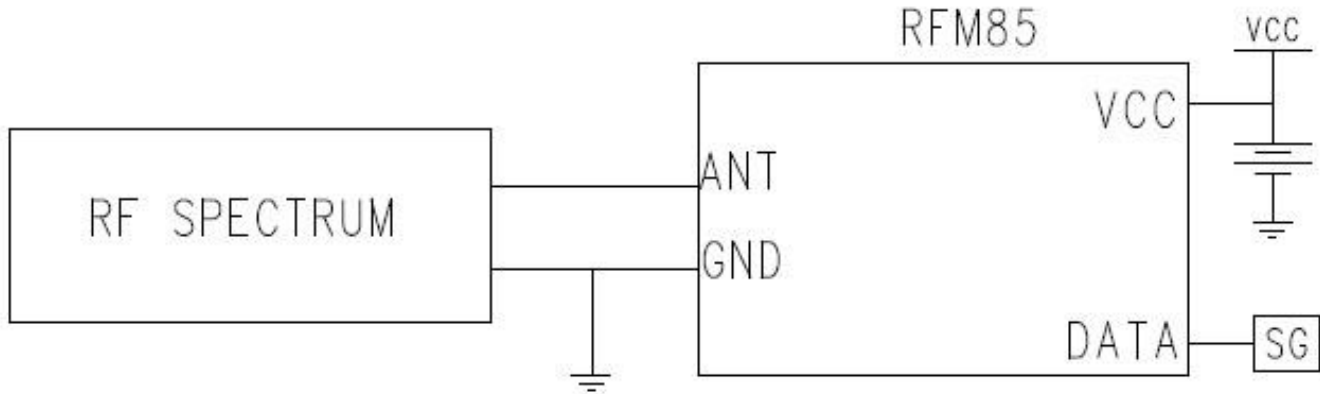
Package Information:

Absolute Maximum Ratings:

Parameter	Value	Units
Power Supply	2.2 ~ 5.5	V
Operating temperature	-20 to +70	°C

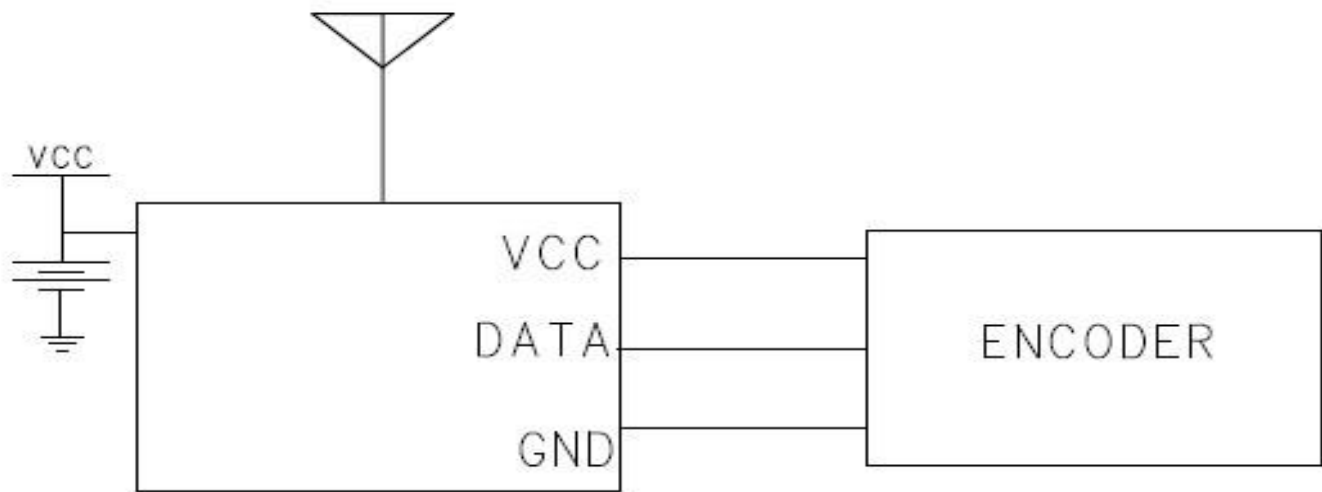
Transmitter Characteristics:

Parameter	Symbol	Condition	Condition			Unit
			min.	typ.	max.	
Operation Frequency	Ftx	Vcc=3.3V,TA-25°C, 315MHz	314.90	315.00	315.10	MHz
		Vcc=3.3V,TA-25°C, 433MHz	433.82	433.92	434.02	MHz
Output Power	Pmax	Vcc=3.3V,TA-25°C, 315MHz and 433MHz	-	12	-	dBm
		Vcc=5.0V,TA-25°C, 315MHz and 433MHz	-	16	-	
Supply current	Icc	Vcc=3.3V,TA-25°C, 315MHz and 433MHz	-	24	-	mA
		Vcc=5V,TA-25°C, 315MHz and 433MHz	-	40	-	
Standby Current	Isc	-	-	-	1	nA
Supply voltage Range	Vcc	-	2.1	-	5.5	V
Data Rate	DR	-	300	-	10K	bps

Typing Test Circuit

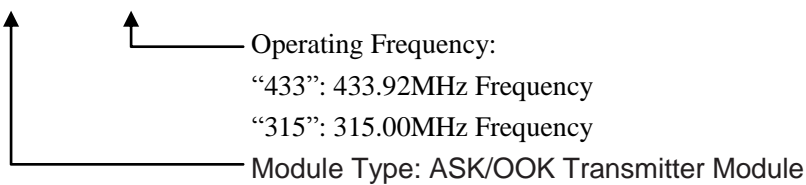


Typical Transmitter Application



Ordering Information:

RFM85 - 433



Operating Frequency:

“433”: 433.92MHz Frequency

“315”: 315.00MHz Frequency

Module Type: ASK/OOK Transmitter Module

HOPE MICROELECTRONICS CO.,LTD

Add:4/F, Block B3, East Industrial Area, Huaqiaocheng,
Shenzhen, Guangdong, China

Tel: 86-755-82973805

Fax: 86-755-82973550

Email: sales@hoperf.com
trade@hoperf.com

Website: <http://www.hoperf.com>

<http://www.hoperf.cn>

<http://hoperf.en.alibaba.com>

This document may contain preliminary information and is subject to change by Hope Microelectronics without notice. Hope Microelectronics assumes no responsibility or liability for any use of the information contained herein. Nothing in this document shall operate as an express or implied license or indemnity under the intellectual property rights of Hope Microelectronics or third parties. The products described in this document are not intended for use in implantation or other direct life support applications where malfunction may result in the direct physical harm or injury to persons. NO WARRANTIES OF ANY KIND, INCLUDING, BUT NOT LIMITED TO, THE IMPLIED WARRANTIES OF MERCHANTABILITY OR FITNESS FOR A PARTICULAR PURPOSE, ARE OFFERED IN THIS DOCUMENT.

©2006, HOPE MICROELECTRONICS CO.,LTD. All rights reserved.