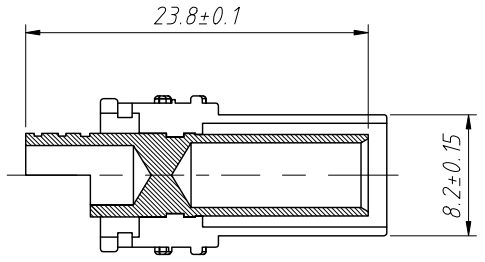


1
RoHS Compliance

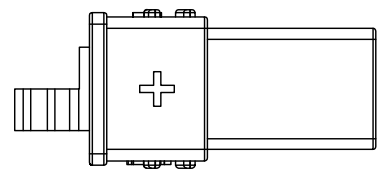
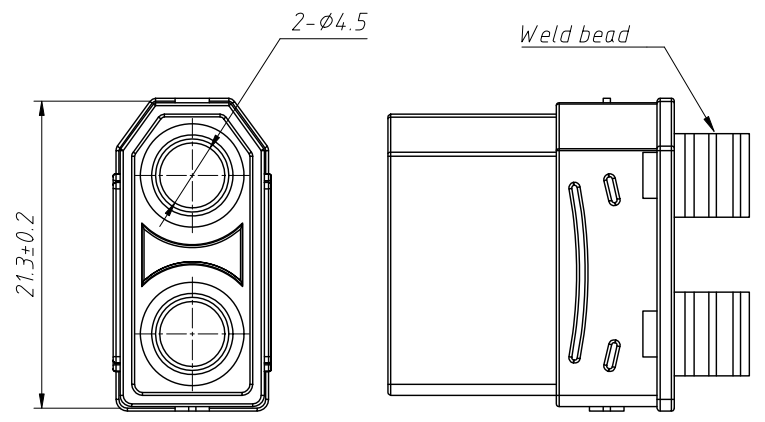
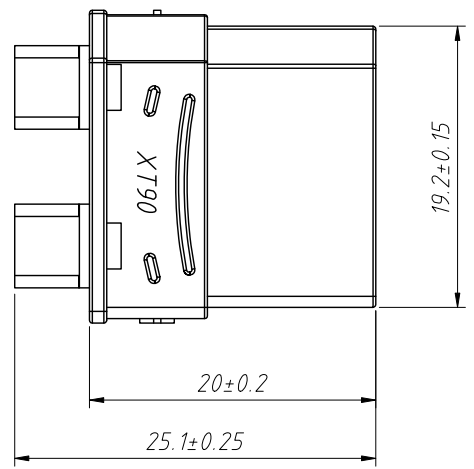
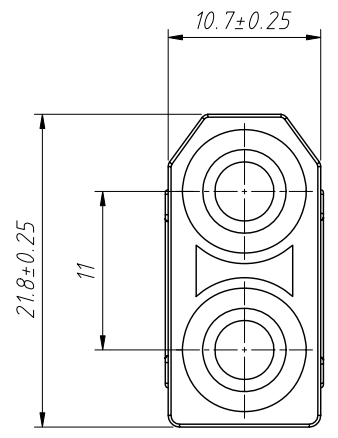
7		8	
REV	SYM	Revision Record	Appr.
V0	KLS01633	New Version Release	WuHao
			Date
			2024-10-16



SECTION A-A

Material:
Housing: PA,UL 94 V-2, Yellow
Terminal: Brass, Gold-Plated

Salt Spray Test: 48H
Package : 300 PCS/Bag



Order Information:
L-KLS1-XT90-F-8
L: RoHS
Product series
Type:
F-Female M-Male
Color: 8-Yellow

ANGLE TOLERANCE	PROJECTION	Description:	
±3°		XT90 Male Housing Contains Female Terminal	
GENERAL TOLERANCE	UNITS	mm	KLS P/N: L-KLS1-XT90-F-8
x.x ±0.10	SHEET SIZE	A4	NingBo KLS ELECTRONIC CO.,L TD.
x.xx ±0.05	Draw:	Song	
x.xxx ±0.03	Check:	Daniel	