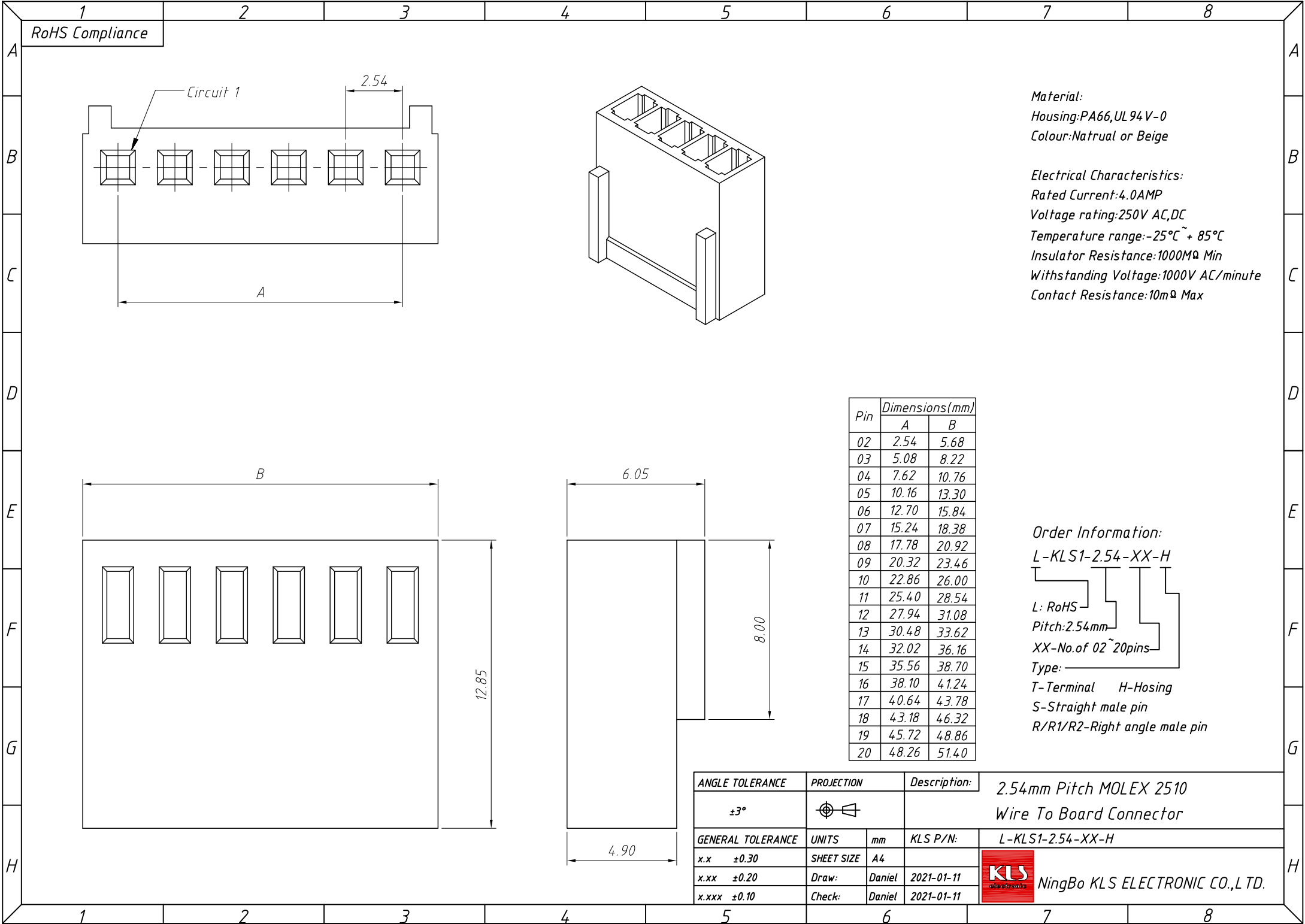


1
RoHS Compliance



Material:
Housing:PA66,UL94V-0
Colour:Natrual or Beige

Electrical Characteristics:
Rated Current:4.0AMP
Voltage rating:250V AC,DC
Temperature range:-25°C ~ + 85°C
Insulator Resistance:1000M Ω Min
Withstanding Voltage:1000V AC/minute
Contact Resistance:10m Ω Max

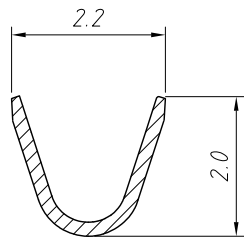
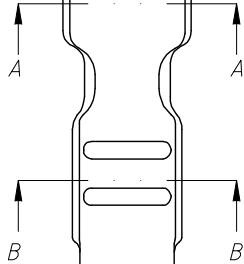
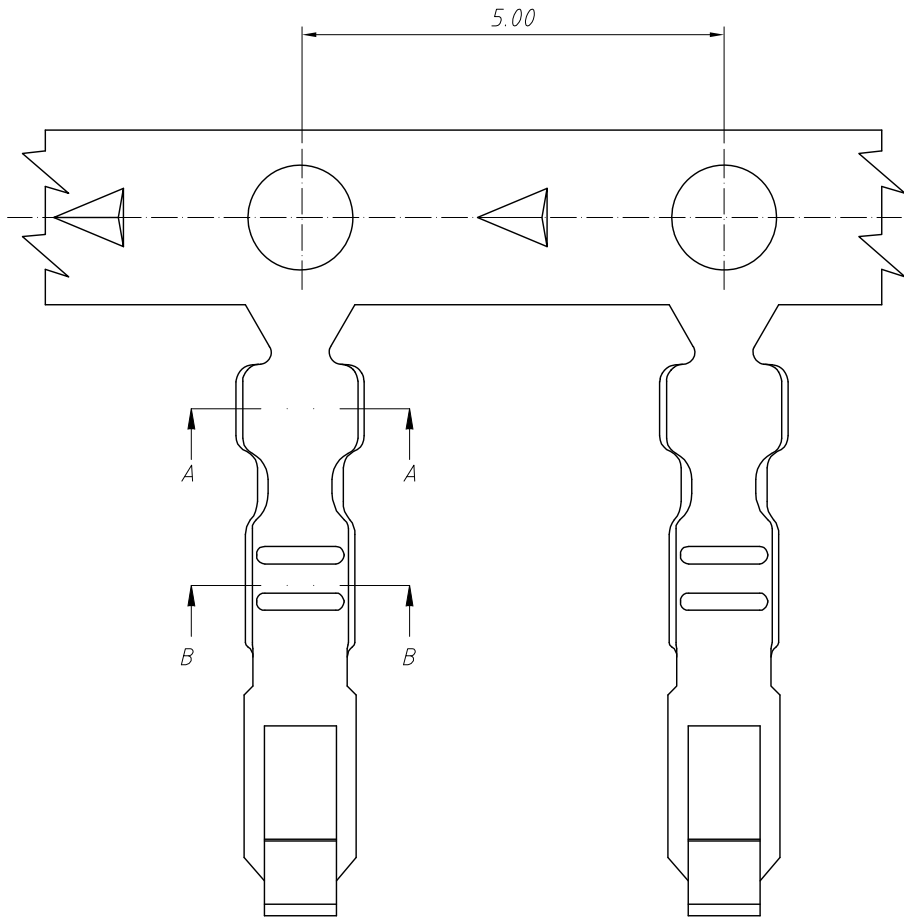
Pin	Dimensions(mm)	
	A	B
02	2.54	5.68
03	5.08	8.22
04	7.62	10.76
05	10.16	13.30
06	12.70	15.84
07	15.24	18.38
08	17.78	20.92
09	20.32	23.46
10	22.86	26.00
11	25.40	28.54
12	27.94	31.08
13	30.48	33.62
14	32.02	36.16
15	35.56	38.70
16	38.10	41.24
17	40.64	43.78
18	43.18	46.32
19	45.72	48.86
20	48.26	51.40

Order Information:
L-KLS1-2.54-XX-H
L: RoHS
Pitch:2.54mm
XX-No.of 02 ~ 20pins
Type:
T-Terminal H-Hosing
S-Straight male pin
R/R1/R2-Right angle male pin

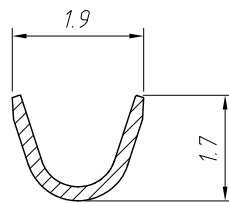
ANGLE TOLERANCE	PROJECTION	Description:	2.54mm Pitch MOLEX 2510
$\pm 3^\circ$			Wire To Board Connector
GENERAL TOLERANCE	UNITS	mm	KLS P/N:
x.x ± 0.30	SHEET SIZE	A4	L-KLS1-2.54-XX-H
x.xx ± 0.20	Draw:	Daniel	2021-01-11
x.xxx ± 0.10	Check:	Daniel	2021-01-11

NingBo KLS ELECTRONIC CO.,L TD.

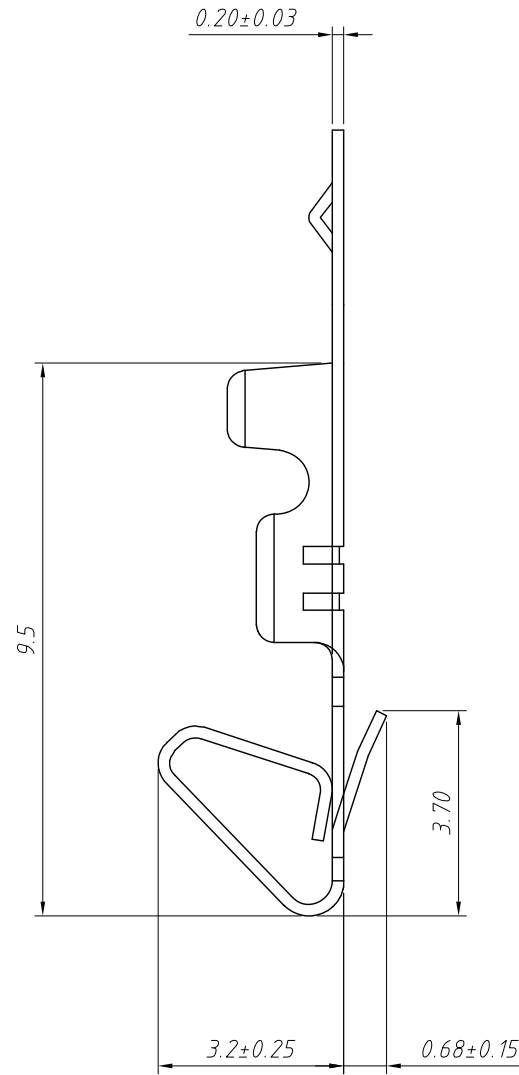
1 RoHS Compliance



A-A



B-B



Material:
 Terminal: Phosphor Bronze
 Plating: Tin plated over Nickel
 Applicable wires: AWG #22 ~ #28
 Insulation O.D.: 1.5mm
 Qty/reel: 10000 pcs

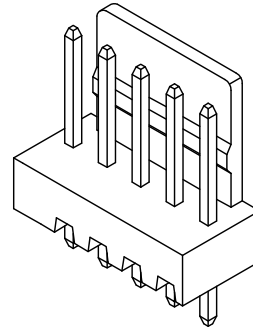
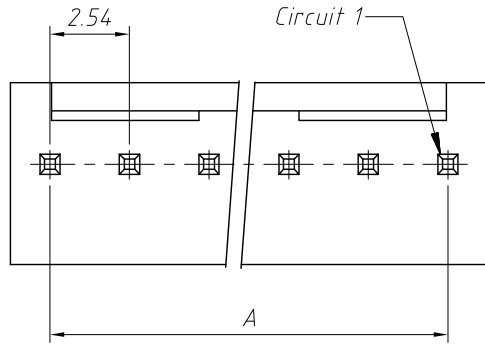
Electrical Characteristics:
 Rated Current: 4.0AMP
 Voltage rating: 250V AC, DC
 Temperature range: -25°C ~ +85°C
 Insulator Resistance: 1000MΩ Min
 Withstanding Voltage: 1000V AC/minute
 Contact Resistance: 10mΩ Max

Order Information:
 L-KLS1-2.54-T

L: RoHS
 Pitch: 2.54mm
 Type: _____
 T-Terminal H-Hosing
 S-Straight male pin
 R/R1/R2-Right angle male pin

ANGLE TOLERANCE	PROJECTION	Description:	2.54mm Pitch MOLEX 2510
±3°			Wire To Board Connector
GENERAL TOLERANCE	UNITS	mm	KLS P/N: L-KLS1-2.54-T
x.x ±0.30	SHEET SIZE	A4	NingBo KLS ELECTRONIC CO.,L TD.
x.xx ±0.20	Draw:	Daniel 2021-01-11	
x.xxx ±0.10	Check:	Daniel 2021-01-11	

1 RoHS Compliance



Pin	Dimensions(mm)	
	A	B
02	2.54	5.08
03	5.08	7.62
04	7.62	10.16
05	10.16	12.70
06	12.70	15.24
07	15.24	17.78
08	17.78	20.32
09	20.32	22.86
10	22.86	25.40
11	25.40	27.94
12	27.94	30.48
13	30.48	32.02
14	32.02	35.56
15	35.56	38.10
16	38.10	40.64
17	40.64	43.18
18	43.18	45.72
19	45.72	48.26
20	48.26	50.80

Material:

Housing:PA66,UL94V-0

Colour:Natrual or Beige

Pin:Brass,Tin Plated

Electrical Characteristics:

Rated Current:4.0AMP

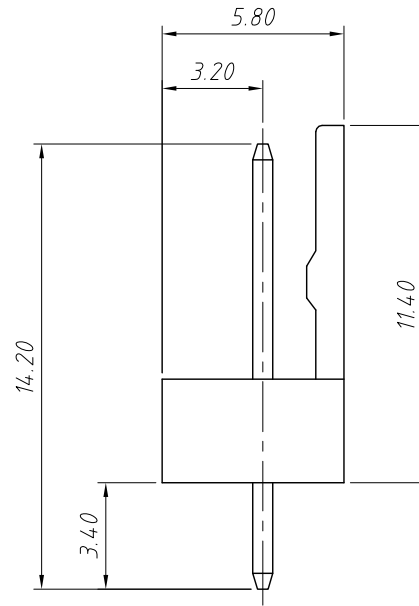
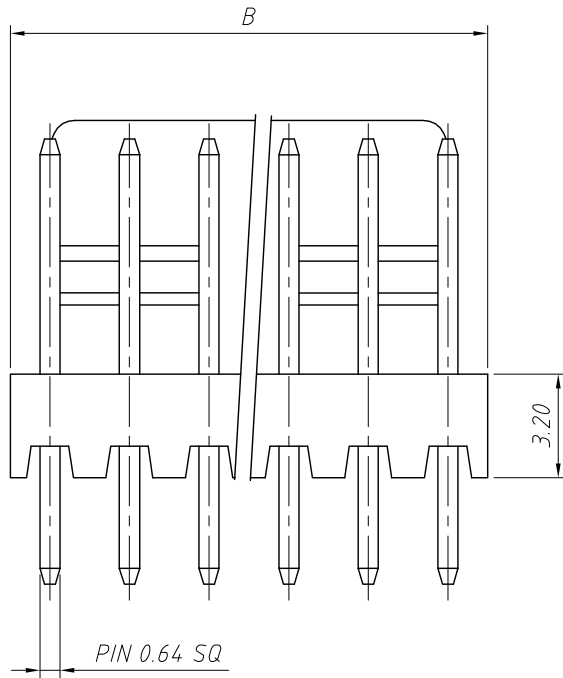
Voltage rating:250V AC,DC

Temperature range:-25°C ~ + 85°C

Insulator Resistance:1000M Ω Min

Withstanding Voltage:1000V AC/minute

Contact Resistance:10m Ω Max



Order Information:

L-KLS1-2.54-XX-S

L: RoHS

Pitch:2.54mm

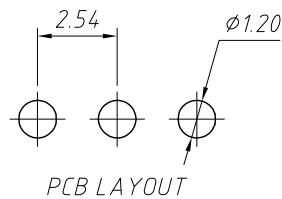
XX-No.of 02~20pins

Type:

T-Terminal H-Hosing

S-Straight male pin

R/R1/R2-Right angle male pin

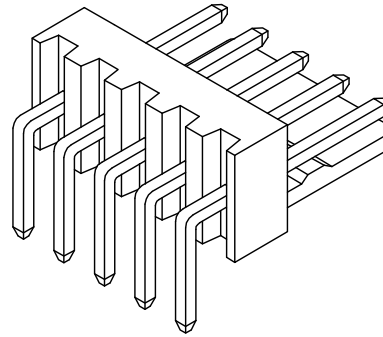
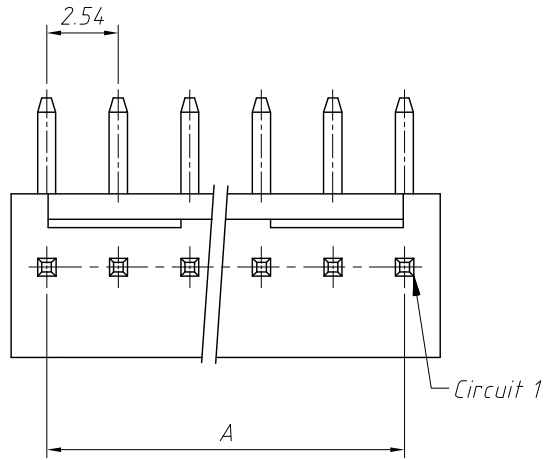


ANGLE TOLERANCE	PROJECTION	Description:
$\pm 3^\circ$		2.54mm Pitch MOLEX 2510 Wire To Board Connector
GENERAL TOLERANCE	UNITS	mm
x.x ± 0.30	SHEET SIZE	A4
x.xx ± 0.20	Draw:	Daniel 2021-01-11
x.xxx ± 0.10	Check:	Daniel 2021-01-11



NingBo KLS ELECTRONIC CO.,L TD.

1 RoHS Compliance



Pin	Dimensions(mm)	
	A	B
02	2.54	5.08
03	5.08	7.62
04	7.62	10.16
05	10.16	12.70
06	12.70	15.24
07	15.24	17.78
08	17.78	20.32
09	20.32	22.86
10	22.86	25.40
11	25.40	27.94
12	27.94	30.48
13	30.48	32.02
14	32.02	35.56
15	35.56	38.10
16	38.10	40.64
17	40.64	43.18
18	43.18	45.72
19	45.72	48.26
20	48.26	50.80

Material:

Housing:PA66,UL94V-0

Colour:Natrual or White

Pin:Brass,Tin Plated

Electrical Characteristics:

Rated Current:4.0AMP

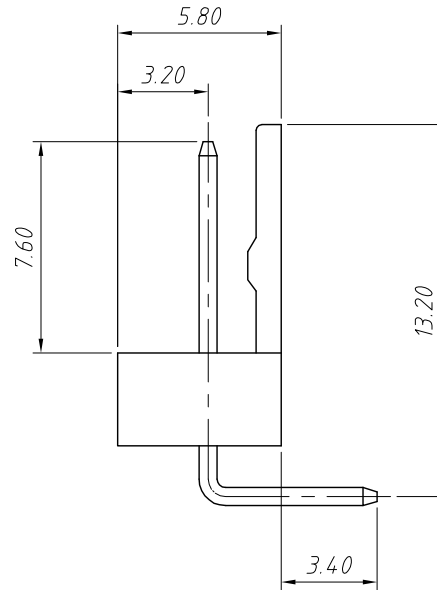
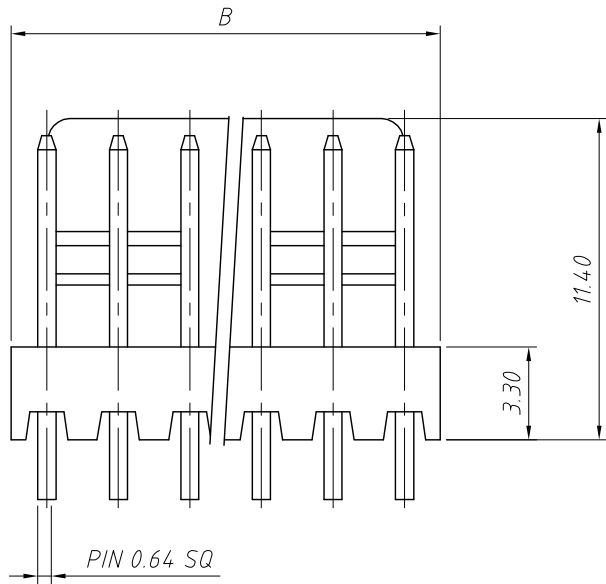
Voltage rating:250V AC,DC

Temperature range:-25°C ~ + 85°C

Insulator Resistance:1000MΩ Min

Withstanding Voltage:1000V AC/minute

Contact Resistance:10mΩ Max



Order Information:

L-KLS1-2.54-XX-R

L: RoHS

Pitch:2.54mm

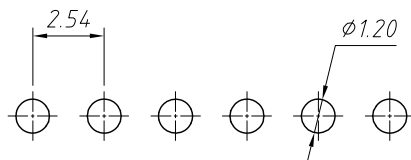
XX-No. of 02 ~ 20pins

Type:

T-Terminal H-Hosing

S-Straight male pin

R/R1/R2-Right angle male pin



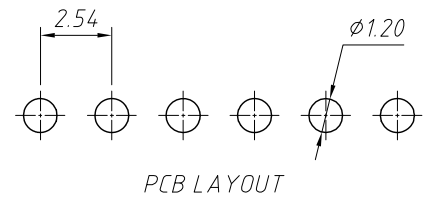
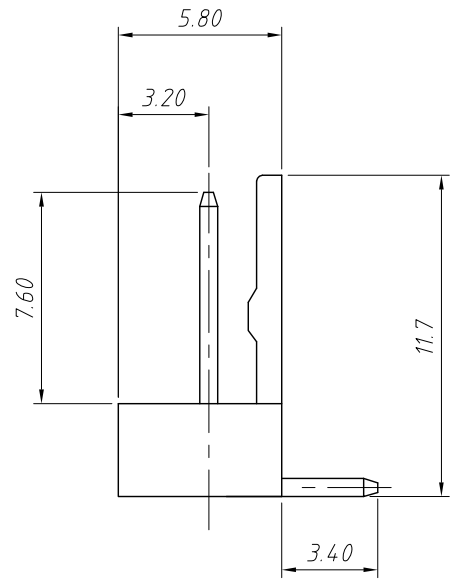
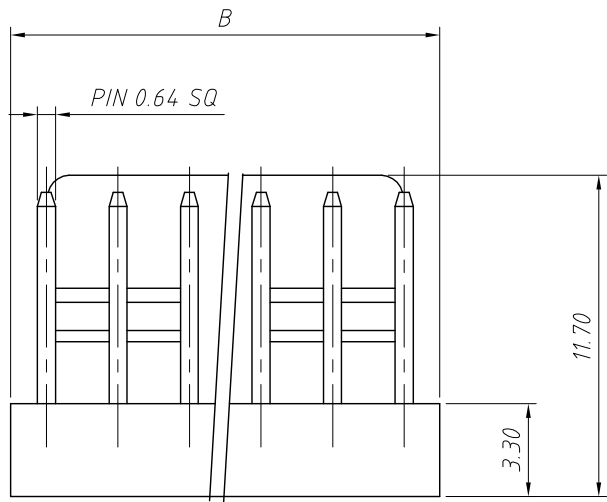
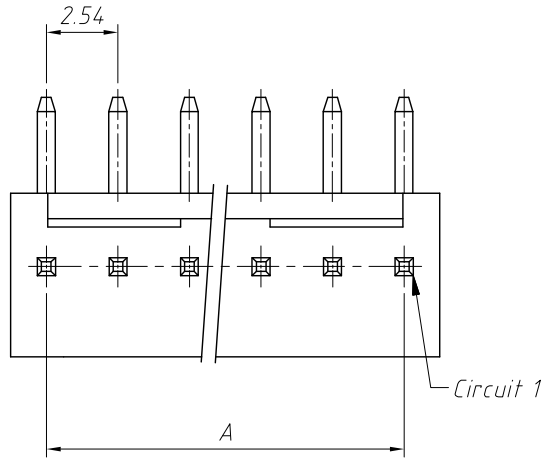
PCB LAYOUT

ANGLE TOLERANCE	PROJECTION	Description:
±3°		2.54mm Pitch MOLEX 2510 Wire To Board Connector
GENERAL TOLERANCE	UNITS	mm
x.x ±0.30	SHEET SIZE	A4
x.xx ±0.20	Draw:	Daniel 2021-01-11
x.xxx ±0.10	Check:	Daniel 2021-01-11



NingBo KLS ELECTRONIC CO.,L TD.

1
RoHS Compliance



Pin	Dimensions(mm)	
	A	B
02	2.54	5.08
03	5.08	7.62
04	7.62	10.16
05	10.16	12.70
06	12.70	15.24
07	15.24	17.78
08	17.78	20.32
09	20.32	22.86
10	22.86	25.40
11	25.40	27.94
12	27.94	30.48
13	30.48	32.02
14	32.02	35.56
15	35.56	38.10
16	38.10	40.64
17	40.64	43.18
18	43.18	45.72
19	45.72	48.26
20	48.26	50.80

Material:
Housing: PA66, UL94V-0
Colour: Natural or White
Pin: Brass, Tin Plated

Electrical Characteristics:
Rated Current: 4.0AMP
Voltage rating: 250V AC, DC
Temperature range: -25°C ~ +85°C
Insulator Resistance: 1000MΩ Min
Withstanding Voltage: 1000V AC/minute
Contact Resistance: 10mΩ Max

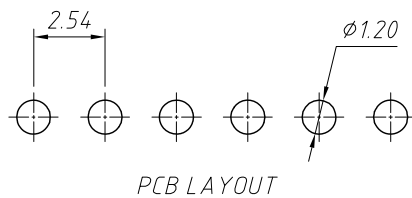
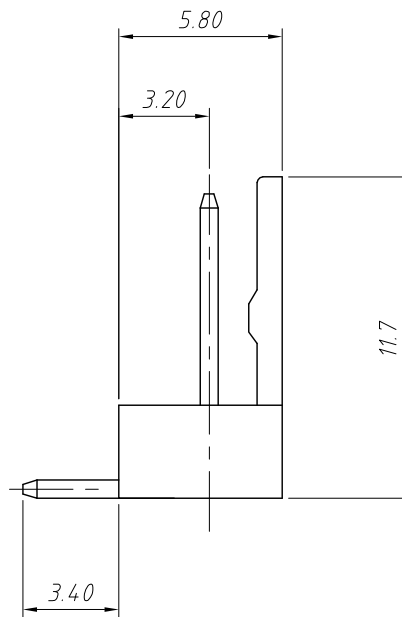
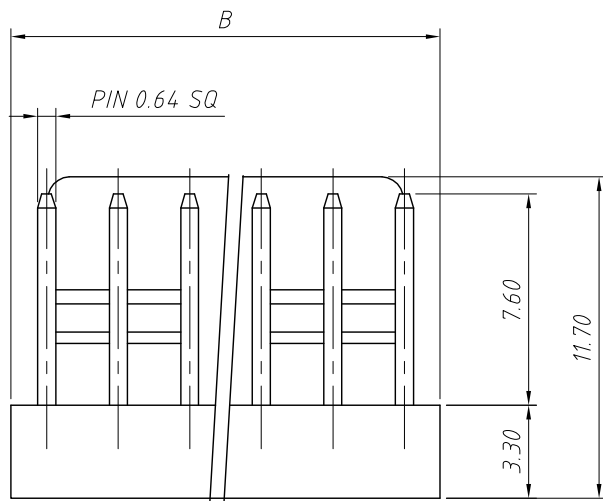
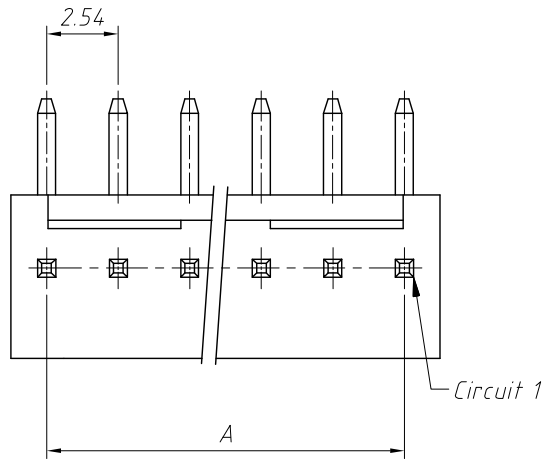
Order Information:
L-KLS1-2.54-XX-R1

L: RoHS
Pitch: 2.54mm
XX-No. of 02~20pins
Type:
T-Terminal H-Housing
S-Straight male pin
R/R1/R2-Right angle male pin

ANGLE TOLERANCE	PROJECTION	Description:	2.54mm Pitch MOLEX 2510
±3°			Wire To Board Connector
GENERAL TOLERANCE	UNITS	mm	KLS P/N:
x.x ±0.30	SHEET SIZE	A4	L-KLS1-2.54-XX-R1
x.xx ±0.20	Draw:	Daniel	2021-01-11
x.xxx ±0.10	Check:	Daniel	2021-01-11



1 RoHS Compliance



Pin	Dimensions(mm)	
	A	B
02	2.54	5.08
03	5.08	7.62
04	7.62	10.16
05	10.16	12.70
06	12.70	15.24
07	15.24	17.78
08	17.78	20.32
09	20.32	22.86
10	22.86	25.40
11	25.40	27.94
12	27.94	30.48
13	30.48	32.02
14	32.02	35.56
15	35.56	38.10
16	38.10	40.64
17	40.64	43.18
18	43.18	45.72
19	45.72	48.26
20	48.26	50.80

Material:

Housing:PA66,UL94V-0

Colour:Natrual or White

Pin:Brass,Tin Plated

Electrical Characteristics:

Rated Current:4.0AMP

Voltage rating:250V AC,DC

Temperature range:-25°C ~ + 85°C

Insulator Resistance:1000M Ω Min

Withstanding Voltage:1000V AC/minute

Contact Resistance:10m Ω Max

Order Information:

L-KLS1-2.54-XX-R2

L: RoHS

Pitch:2.54mm

XX-No. of 02~20pins

Type:

T-Terminal H-Hosing

S-Straight male pin

R/R1/R2-Right angle male pin

ANGLE TOLERANCE	PROJECTION	Description:
$\pm 3^\circ$		2.54mm Pitch MOLEX 2510 Wire To Board Connector
GENERAL TOLERANCE	UNITS	mm
x.x ± 0.30	SHEET SIZE	A4
x.xx ± 0.20	Draw:	Daniel 2021-01-11
x.xxx ± 0.10	Check:	Daniel 2021-01-11



NingBo KLS ELECTRONIC CO.,L TD.