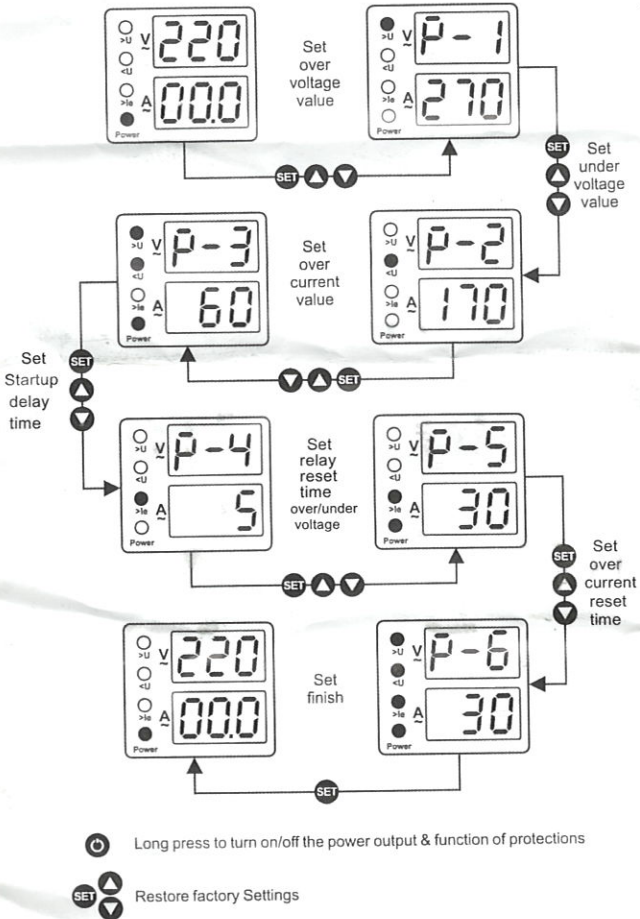
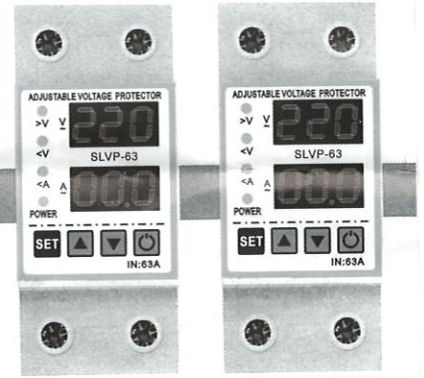


Wiring Diagram



Model SLVP-63VA



VOLTAGE CURRENT PROTECTOR

Specification

◆ Pole No.	1P+N
◆ Rated voltage	220/230V AC
◆ Rated current	40A, 63A
◆ Adjustable setting ranges	
◇ Over-voltage	240~300V (Default: 270V)
◇ Under-voltage	140~200V (Default: 170V)
◇ Over-current	1~40A (Default: 40A) 1~63A (Default: 63A)
◇ Startup delay time	1~300S (Default: 5S)
Relay reset time (over/under voltage)	1~300S (Default: 30S)
◇ Over current reset time	1~300S (Default: 30S)
◆ Power consumption	<2W
◆ Installation	35mm symmetrical DIN rail