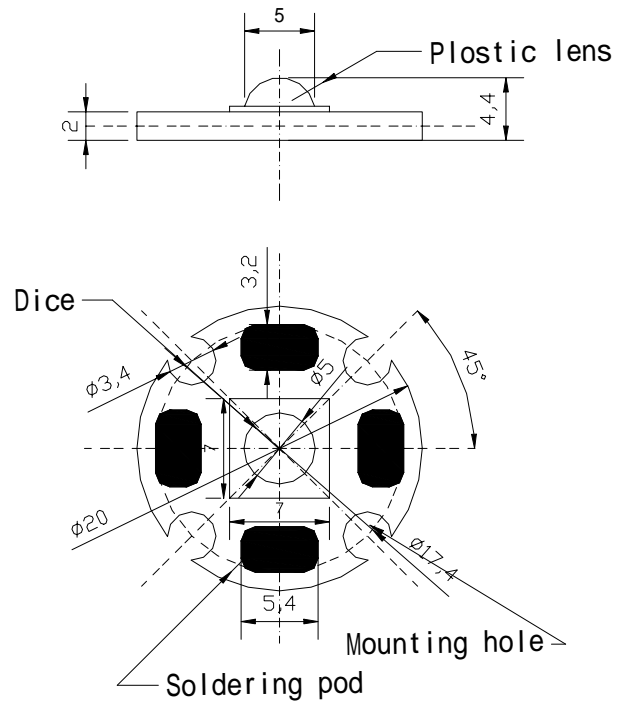


## GNL-R20-300HPxx (Power LED TYPE) Ultra Brightness series

ABSOLUTE MAXIMUM RATING:(Ta=25 )

Parameter			Unit
Continuous Forward Current	300		mA
Reverse Voltage	5		V
Reverse Current (Vr=5V)	10		μA
Peak Forward Current ,tw ,=1 msec Duty ,=1/20	350		mA
Operation Temperature	-25	+80	
Storage Temperature	-25	+100	
Solder Dip Temperature (5 seconds,1.6mm from body )	260	± 5	



### Features:

- High power LED light source module
- Excellent heat-sinking and ultra high intensity and reliability
- High Voltage DC Operated
- No UV

### Applications:

- Portable Flashlight, Miner's lamp
- Light source for out/indoor advertising
- Special Decorative Lighting
- Illuminate (Reading Lights for car,bus etc)

Part Number	EMITTED COLOR		Reverse Current(μA)		Peak Wavelength (nm)	Vf (v) Typ.	v (If=300mA) lm Typ.	View Angle 2 1/2
			Max.	VR(V)				
GNL-R20-300HPUW	InGaN	Ultra White	50	5	0.30/0.31	3.8	28	120 °
GNL-R20-300HPPG	InGaN	Ultra Pure Green	50	5	525	3.8	15	120 °
GNL-R20-300HPUB	InGaN	Ultra Blue	50	5	470	3.8	7	120 °
GNL-R20-300HPUE	AlGaInP	Ultra Red	50	5	625	2.5	10	120 °
GNL-R20-300HPUY	AlGaInP	Ultra Yellow	50	5	590	2.5	10	120 °