



### FEATURES:

- RoHS compliant
- Switching power modules for PCB mounting
- Fully encapsulated plastic case
- Universal input: 90-260VAC, 47-440Hz, or 120-370VDC
- Low ripple and noise
- High efficiency up to 79%
- CE, cULus approvals

### Models

#### Single output

Model	Input Voltage (VAC/Hz)	Input Voltage (VDC)	Output Voltage (V)	Max Output wattage (W)	Output Current max (A)	Minimum load (%)	Efficiency (%)
AMEL10-3.3SZ	90-260/47-440	120-370	3.3	10	2.5	0	70
AMEL10-5SZ	90-260/47-440	120-370	5	10	2	0	72
AMEL10-12SZ	90-260/47-440	120-370	12	10	0.833	0	79
AMEL10-15SZ	90-260/47-440	120-370	15	10	0.667	0	79
AMEL10-24SZ	90-260/47-440	120-370	24	10	0.417	0	79

### Input Specifications

Parameters	Conditions	Typical	Maximum	Units
Current (full load)	115 VAC		220	mA
	230 VAC		150	mA
Current (no load)	115 VAC		12	mA
	230 VAC		24	mA
Inrush current <2ms	115 VAC		10	A
	230 VAC		20	A
Leakage current			0.25	mA
External fuse	Recommended slow blow type	1.5		A

### Output Specifications

Parameters	Conditions	Typical	Maximum	Units
Voltage accuracy		±2		%
Line regulation			±0.3	%
Load regulation			±0.5	%
Maximum capacitive load	Depending of the model	470-23 000		µF
Noise			0.5 %Vout + 50 mV	
Ripple			0.2 %Vout + 40 mV	
Hold-up time (min)		15		ms

### Isolation Specifications

Parameters	Conditions	Typical	Maximum	Units
Input / Output		3000		VAC

### General Specifications

Parameters	Conditions	Typical	Maximum	Units
Switching frequency		125		KHz
Over current protection	Auto recovery	Hiccup,		
Over voltage protection		Zener diode clamp		
Short circuit protection	Auto recovery	Hiccup mode, indefinite		
Operating temperature	With derating above 50°C	-25 - +71		°C
Storage temperature		-40 to +85		°C
Temperature coefficient		0.02		% / °C

### General Specifications

Parameters	Conditions	Typical	Maximum	Units
Cooling	Free air convection			
Humidity		20-85		% RH
Case material	Plastic resin + Fiberglass (flammability to UL 94V-0)			
Weight		54		g
Dimensions		2.05 x 1.06 x 0.91 inches	52.4 x 27.2 x 23.5 mm	
MTBF		> 330 000 hrs (MIL-HDBK -217F, t=+25°C)		
Vibration	1 min. cycle	10-55 (0.5mm width)		Hz
Shock	3 directions each 3 times	20		G

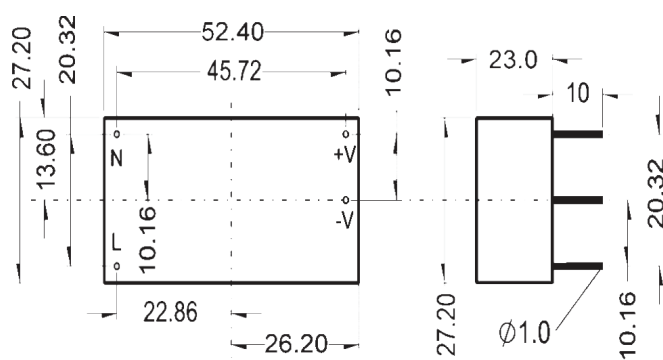
### Safety Specifications

Standards	
Safety	EN55022 (Conducted and radiated emission), EN 5022 (Noise immunity)
Agency approvals	CE, cULus

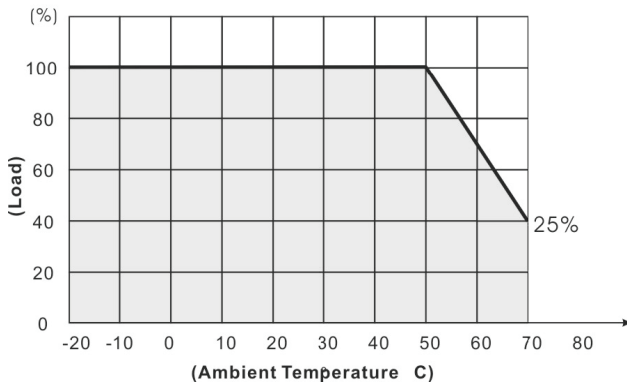
### Pin Out Specifications

Pin	Single
N	AC Input
L	AC Input
+V	+DC Output
-V	-DC Output

### Dimensions



Power Derating Curve



### Block diagram

Single Output

