

(Scale: 2 : 1)



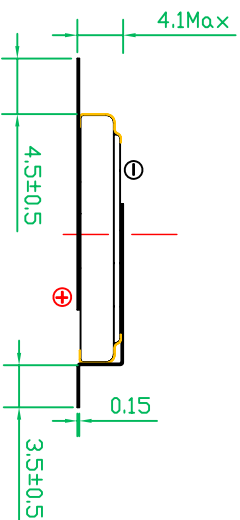
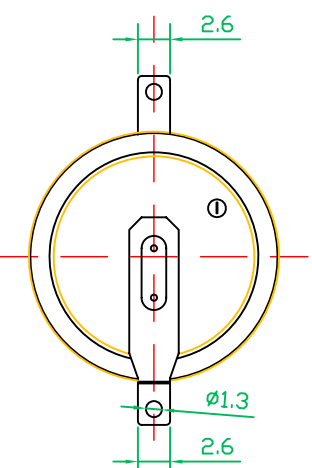
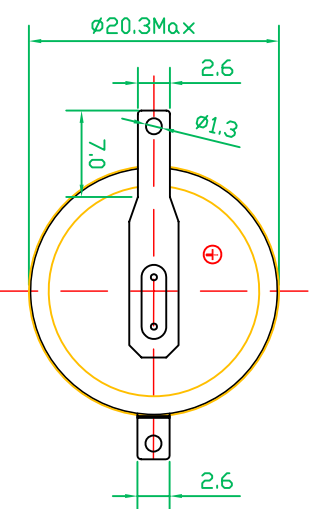
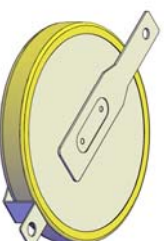
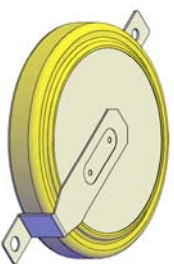
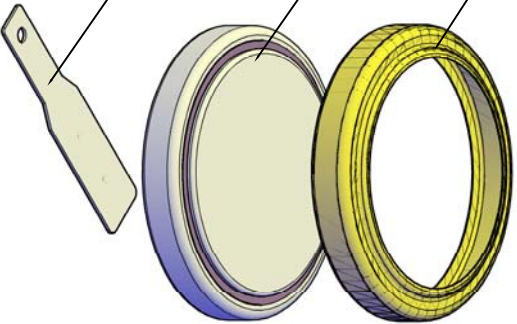
Cathode tab
(负极焊片)

PVC

Yellow(黄色)

Cell(电芯):LIR2032
45mAh

Anode tab
(正极焊片)



Remark(备注):

1. Cell(电芯): Button, Yellow PVC, with date code(扣式, 包黄色 PVC, 表面喷码)
2. Cathode/Anode tab: Stainless steel plated with nickel
正/负极焊片材质: 不锈钢镀镍
3. RoHS Compliant
严格按照ROHS要求生产

EEMB[®]
EEMB BATTERY

Title LIR2032-LBY2

File NO.

A07753

Drawn: Lijieyong

Revise No.: E4-2009

Checked 1:

Coco

Projection:

 1/1

Checked 2:

Page:

1/1

Approved:

Scale:

1.5: 1

Draw Date:

2013/03/15

Unit:

mm