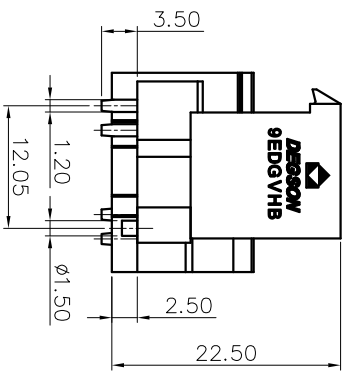
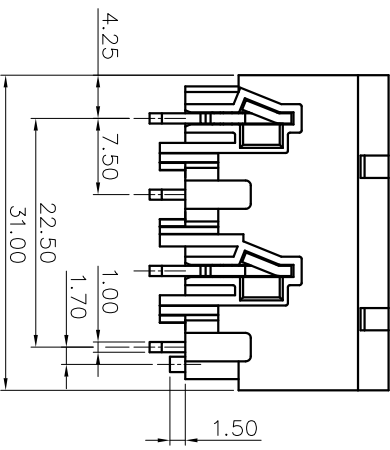
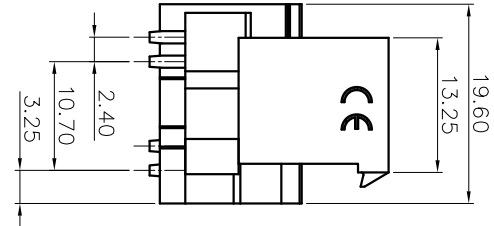
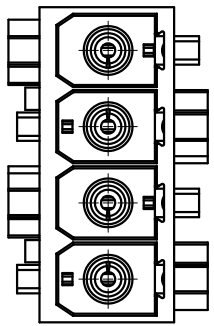


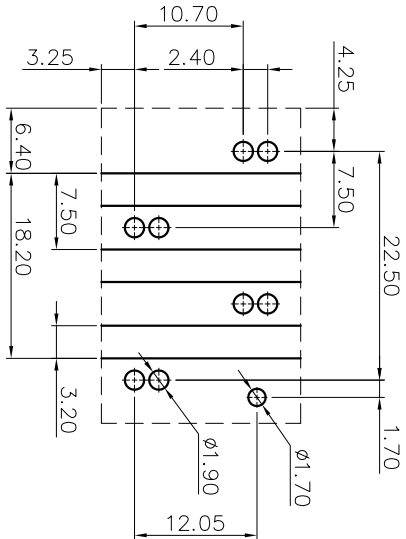
REVISION RECORD			
REV	ECN	DESCRIPTION	DRFT DATE



- NOTES1:  
 UL Standard  
 1. Rated voltage/current : 600V / 35A  
 2. Withstanding voltage : AC2200V/1Min.
- NOTES2:  
 1. Dimension shall be interpreted per ASME Y14.5-2009  
 2. Pitch : 7.50mm, Poles : 04P  
 3. Operating temperature: -40°C~+105°C  
 4. Undimensioned tolerances:  
 5. RoHS Compliance

Pitch range in mm	Nominal dimension range			
	Over	Over	Over	Over
6	10	30	60	100
TO	TO	TO	TO	TO
10	24	30	60	150
±0.15	±0.20	±0.30	±0.50	±0.70
			±1.00	±1.30
				±2°

9EDGVHB - Z.5 - 04P - 1Y - 00A (H)  
 (Series No.) (Pitch) (Poles) (Single Pitch) (Color) : 1. (Grey)  
 2. (Blue)  
 3. (Black)  
 4. (Green)  
 5. (Orange)  
 6. (Red)  
 7. (Transparent)  
 8. (Yellow)  
 9. (White)



PCB LAYOUT

DETACHED LISTS			
PART NO.:	/	NAME:	<b>DEGSON</b> NINGBO DEGSON ELECTRICAL CO., LTD 宁波高松电子有限公司
APPD:	/	CHKD:	/
DRFT:	/	TITLE:	CUSTOMER DRAWING
THIRD ANGLE PROJECTION		DRAWING NO.:	/
		DO NOT SCALE DRAWING	SCALE
			1:1

A 8 7 6 5 4 3 2 1